

1161801 4000W 72V 100Ah Lithium EEC Quad

ART-NR. 1161801

4000W E8

E-QUAD

SPYRACING

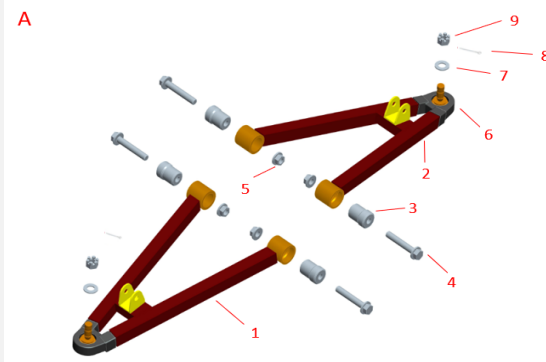


www.nitromotors.de

ERSATZTEILLISTE | SPARE PARTS LIST

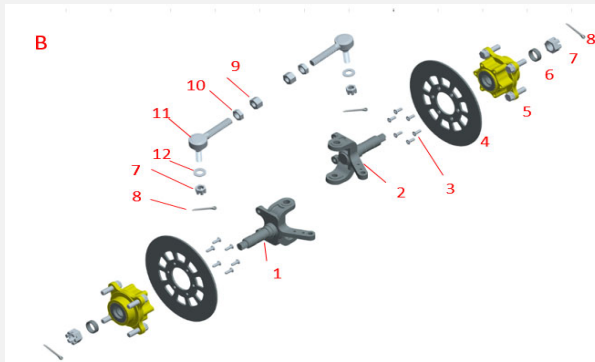
VERS. 1.0 | 21.08.2025

SPY E8 PARTS BOM LIST



A. 下摆臂总成 Lower swing arm assembly

Code	ERP NO.	neue ET Art	EAN Code	English name	中文名称	Qty.	order	note
A1	9023101800	9140001	4250673203239	Left/Right lower arm	左下摇臂	1		
A2	9023101800	9140001	4250673203239	Left/Right lower arm	右下摇臂	1		
A3	9033101900	9140002	4250673203246	Rocker arm buffer	摇臂缓冲套	4		
A4	43401657	9140003	4250673203253	M12*75*1.25 flange bolts	M12*75*1.25法兰螺栓	4		
A5	43400405	9140004	4251846107316	M12*1.25 Selflocking nuts	M12*1.25自锁螺母	4		
A6	9033102000	9140005	4251846107323	Lower arm ball joint (assembly)	下摇臂球头 (总成)	2		
A7	43400214	9140006	4251846107330	M14*1.5 Gasket	M14*1.5垫片	2		
A8	7632103001	9140007	4251846107347	2.0*30 cotter pin	2.0*30开口销	2		
A9	43401105	9140008	4251846107354	M14*1.5 Slotted Nut	M14*1.5开槽螺母	2		

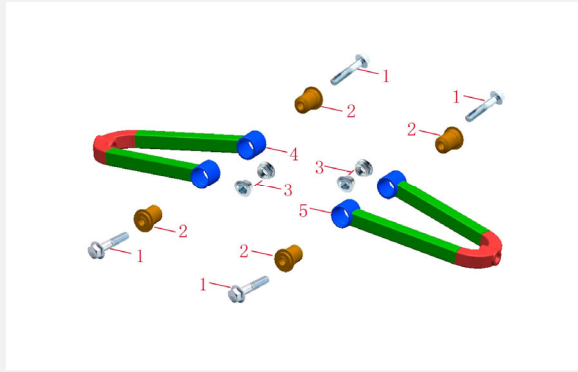


B 前旋转体总成 Front rotating body assembly

Code	ERP NO.	neue ET Art	EAN Code	English name	中文名称	Qty.	order	note
B1	9023102500	9140009	4251846107361	left steering knuckle	左转向节	1		
B2	9023102600	9140010	4251846107378	right steering knuckle	右转向节	1		
B3	43400702	9140011	4251846107385	screwM6*16	十字沉头螺丝M6*16	12		
B4	9033103400	9140012	4251846107392	front brake disc180mm	前刹车盘180mm	2		
B5	9033102701	9140013	4251846107408	body of revolution	旋转体	2		
B6	9023102800	9140014	4251846107415	Spacer	旋转体外隔套 (旋转体自带)	2		
B7	43401105	9140008	4251846107354	Slotted Nut M14*1.5	M14*1.5开槽螺母	4		
B8	7632103001	9140007	4251846107347	cotter pin 2.0*30	2.0*30开口销	4		
B9		9140017	4251846107446	Locknut M16*1.5	M16*1.5防松螺母	2		

B10	43401708	9140018	4251846107453	Hex nuts M16*1.5	M16*1.5六角螺母	2		
B11	9033102400	9140019	4251846107460	Adjustable ball head	可调球头	2		
B12	43400214	9140006	4251846107330	M14*1.5 Gasket	M14*1.5垫片	2		

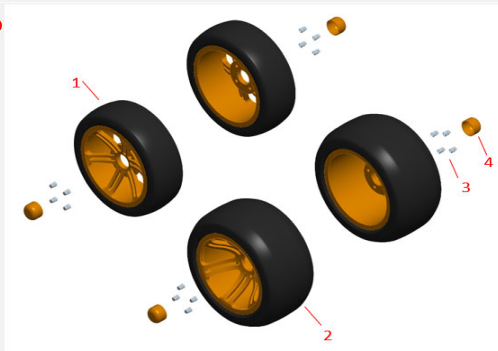
C



C 上摇臂总成 Upper rocker arm assembly

Code	ERP NO.	neue ET Art	EAN Code	English name	中文名称	Qty.	order	note
C1	43401657	9140003	4250673203253	flange bolts M12*75*1.25	M12*75*1.25法兰螺栓	4		
C2	9033101900	9140002	4250673203246	Rocker arm buffer	摇臂缓冲套	4		
C3	43400404	9140023	4251846107507	Selflocking nuts M10*1.25	M10*1.25自锁螺母	4		
C4	9023101700	9140024	4251846107514	Right/left upper rocker arm	右上摇臂	1		
C5	9023101700	9140024	4251846107514	Right/left upper rocker arm	左上摇臂	1		

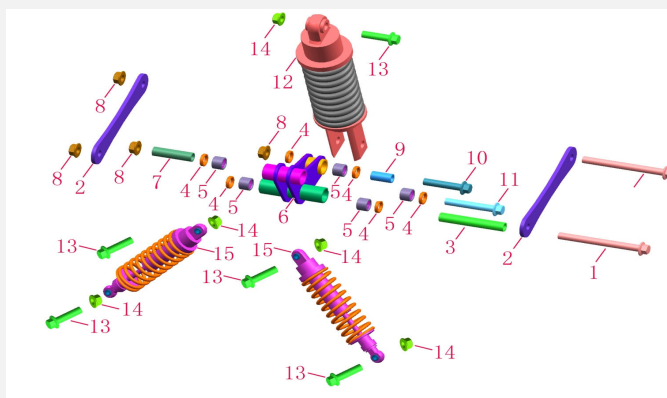
D



D 前后轮总成 Front and rear wheel assembly

Code	ERP NO.	neue ET Art	EAN Code	English name	中文名称	Qty.	order	note
D1	9023104000	9140026	4251846107538	front wheel R	前轮 (含气门嘴、气门嘴帽)	1		
		9140199	4251846109501	front wheel L	前轮 (含气门嘴、气门嘴帽)	1		
	9032104002	9120132	4251846159254	front tubless tyre 185/30-14 "(QUIND)	前轮胎	2		
D2	9023104200	9140027	4251846107545	rear wheel R	后轮 (含气门嘴、气门嘴帽)	1		
		9140200	4251846109518	rear wheel L	后轮 (含气门嘴、气门嘴帽)	1		
	9032104202	9120133	4251846159261	rear tubless tyre 270/30-14" (QUIND)	后轮胎	2		
D3		9140028	4251846107552	nut M10	盖形螺母M10	16		
D4	9033104800	9140029	4251846107569	Wheel trim cover	轮毂装饰盖	4		

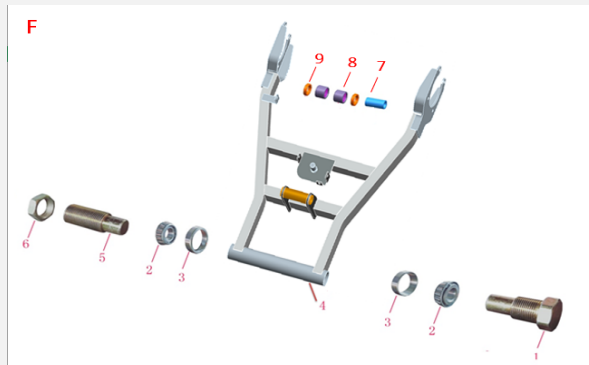
E



E 前后减震器总成 Front and rear shock absorber assembly

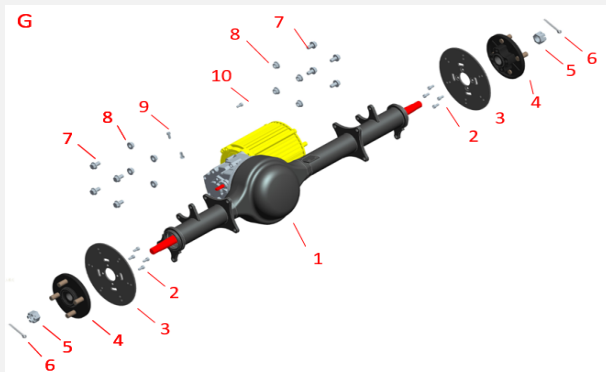
Code	ERP NO.	new ET Art.	EAN Code	English name	中文名称	Qty.	order	note
E1	43401650	9140030	4251846107576	flange bolts M12*120*1.25	法兰螺栓M12*120*1.25	2		
E2	9023201000	9140031	4251846107583	rocker arm	摇臂	1		
E3	9023401300	9140032	4251846107590	Rocker arm spacer $\phi 12^* \phi 16^* 92$	摇臂臂隔套 $\phi 12^* \phi 16^* 92$	1		
E4	9033201400	9140033	4251846107606	Cradle oil seal $\phi 16^* \phi 22^* 7$	摇架油封 $\phi 16^* \phi 22^* 7$	6		
E5	9033101500	9140034	4251846107613	Cradle bearing HK1616	摇架轴承HK1616	5		
E6	9023200900	9140035	4251846107620	Cradle body	摇架主体	1		
E7	9023401200	9140036	4251846107637	Cradle frame spacer $\phi 12^* \phi 16^* 62$	摇架车架隔套 $\phi 12^* \phi 16^* 62$	1		
E8	43400404	9140023	4251846107507	Selflocking nutsM10*1.25	M10*1.25自锁螺母	4		
E9	9023401100	9140038	4251846107651	Cradle shock absorber spacer $\phi 12^* \phi 16^* 32$	摇架减震隔套 $\phi 12^* \phi 16^* 32$	1		
E10	43401645	9140039	4251846107668	flange bolts M12*60*1.25	法兰螺栓M12*60*1.25	1		
E11	43401984	9140040	4251846107675	flange bolts M12*85*1.25	法兰螺栓M12*85*1.25	1		

E12	9033101600	9140041	4251846107682	rear shock absorber	后减震器	1		
E13	43401987	9140042	4251846107699	flange bolts M10*45*1.25	法兰螺栓M10*45*1.25	5		
E14	43400404	9140023	4251846107507	Selflocking nuts M10*1.25	M10*1.25自锁螺母	5		
E15	9033103500	9140044	4251846107712	front shock absorber	前减震器	2		



F 后平叉总成 rear fork assembly

Code	ERP NO.	new ET Art.	EAN Code	English name	中文名称	Qty.	order	note
F1	9033400400	9140015	4251846107422	Rear fork flange locking bolt M22*1.5	后叉法兰锁紧螺栓M22*1.5	1		
F2	9033100700	9140016	4251846107439	Taper bearing 30203	锥度轴承30203	2		
F3		9140020	4251846107477	Bearing outer ring	轴承外圈	2		
F4	9023400300	9140021	4251846107484	rear fork assembly	后平叉总成	1		
F5	9033400500	9140022	4251846107491	bolt M22*1.5	后叉内六角调节螺栓M22*1.5	1		
F6	9033400600	9140025	4251846107521	nut M22*1.5	后叉外六角锁紧螺母M22*1.5	1		
F7	9023401300	9140032	4251846107590	Spacer $\phi 12 * \phi 16 * 92$	摇架臂隔套 $\phi 12 * \phi 16 * 92$	1		
F8	9033201400	9140033	4251846107606	oil seal $\phi 16 * \phi 22 * 7$	摇架油封 $\phi 16 * \phi 22 * 7$	2		
F9	9033101500	9140034	4251846107613	bearing HK1616	滚针轴承HK1616	2		



G 后桥总成 rear axle assembly

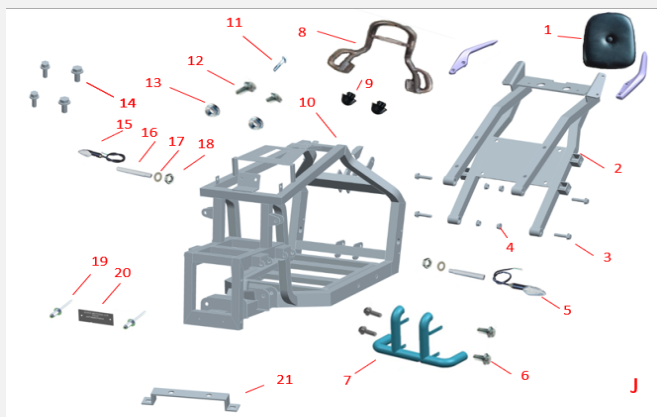
Code	ERP NO.	new ET Art.	EAN Code	English name	中文名称	Qty.	order	note
G1	#NV	9140047	4251846107743	Onepiece rear axle assembly	一体后桥电机总成	1		
		9140201	4251846109525	Motor 4000W 72V	电机			
		9140202	4251846109532	rear axle	后桥			
G2		9140048	4251846107750	bolt M6*16	M6*16内六角螺栓	8		
G3	9033103800	9140049	4251846107767	rear disc brake $\phi 220/4$	后碟刹盘 $\phi 220/4$	2		
G4		9140050	4251846107774	rear wheel flange	后轮法兰	2		
G5	43401103	9140051	4251846107781	nut M20*1.75	后轴法兰开槽螺母M20*1.75nut	2		
G6		9140052	4251846107798	cotter pin 3*50	3*50开口销	2		
G7		9140053	4251846107804	bolt M8*25*1.25	法兰螺栓M8*25*1.25	8		
G8	43400402	9140054	4251846107811	nut M8	自锁螺母M8	2		
G9	43402104	9140055	4251846107828	bolt M6*20	M6*20内六角调整螺栓	2		
G10	43402104	9140055	4251846107828	bolt M6*20	M6*20内六角电机支撑螺栓	1		



H 方向柱总成 steering column assembly

Code	ERP NO.	new ET Art.	EAN Code	English name	中文名称	Qty.	order	note
H1	9033105500	9140057	4251846107842	left hand grip	左手把套	1		

H2	9033105800	9140058	4251846107859	Left function switch	左功能开关	1		
H3	43402156	9140059	4251846107866		8 M8*20内六角螺栓	8		
H4	9033106400	9140060	4251846107873	Handle upper pressing block	手把上压块	2		
H5	9033105400	9140061	4251846107880	handle tube	手把管	1		
H6	9033106500	9140062	4251846107897	handle lower block	手把下压块	2		
H7	9033106100	9140063	4251846107903	Hall right function integrated handle	霍尔右功能一体转把	1		
H8	9033106300	9140064	4251846107910	rear view mirror right	后视镜右	1		
H9	9033106200	9140065	4251846107927	rearview mirror left	后视镜左	1		
H10	9033106702	9140066	4251846107934	display V1	仪表	1		
H10-1		9072629	4255675466903	display V2	仪表新	1		
H11	9023206601	9140067	4251846107941	display V1 bracket	仪表支架	1		
H11-1		9140196	4251846109471	display V2 bracket	仪表支架新	1		
H12	43401703	9140068	4251846107958	Locknut M8	M8防松螺母	4		
H13	43401989	9140069	4251846107965	bolt M10*60*1.25	M10*60*1.25法兰螺栓	2		
H14	9023207000	9140070	4251846107972	Iron sheets	方向柱塑料压块铁片	1		
H15	9023206800	9140071	4251846107989	steering column	方向柱	1		
H16	9023107100	9140072	4251846107996	Steering column liner	方向柱衬管	2		
H17	9033106900	9140073	4251846108009	Steering column plastic pressure block	方向柱塑料压块	2		
H18	43400403	9140074	4251846108016	Selflocking nuts M10	M10自锁螺母	2		
H19	9033103902	9140075	4251846108023	Tie rod head M12	拉杆球头M12 (反牙)	2		
H20	9033103901	9140076	4251846108030	M12 Hexagon Nut (AntiThread)	M12外六角螺母 (正牙)	2		
H21		9140077	4251846108047	tie rod 350mm	拉杆350mm	2		
H22	43400206	9140078	4251846108054	Gasket ø12	ø12垫片	4		
H23	43400112	9140079	4251846108061	spring pad ø12	ø12弹簧垫	4		
H24	43401103	9140080	4251846108078	Slotted Nut M12*1.25	M12*1.25开槽螺母	4		
H25	7632103001	9140007	4251846107347	cotter pin 2.0*30	2.0*30开口销	4		
H26	9033103902	9140075	4251846108023	Tie rod head M12	拉杆球头M12 (反牙)	2		
H27	9033103901	9140076	4251846108030	M12 Hexagon Nut (AntiThread)	M12外六角螺母 (正牙)	2		
H28	43402404	9140083	4251846108108	retaining ring ø35	方向柱孔用挡圈ø35	1		
H29	9033107400	9140084	4251846108115	Selfaligning bearing 1201	调心轴承1201	1		
H30	9033107300	9140085	4251846108122	oil sealø16*ø26*7	油封ø16*ø26*7	1		
H31	9023107200	9140086	4251846108139	Spacerø16*ø12*9.5	方向柱下隔套ø16*ø12*9.5	1		
H32	43401709	9140087	4251846108146	LocknutM10*1.25	M10*1.25防松螺母	1		



J 车架总成 Frame assembly

Code	ERP NO.	new ET Art.	EAN Code	English name	中文名称	Qty.	order	note
J1	9033114100	9140043	4251846107705	back cushion	后靠垫	1		
J2	9023400200	9140045	4251846107729	Tailstock	尾架	1		
J3	43402158	9140046	4251846107736	bolt M8*35	M8*35内六角螺栓	4		
J4	43400402	9140054	4251846107811	nut M8	M8自锁螺母	4		
J5	9033110600	9140056	4251846107835	left turn signal	左转向灯	1		
J6	43401922	9140055	4251846107828	bolt M8*20	M8*20法兰螺栓	4		
J7	9023208600	9140081	4251846108085	front bumper	前保护杠	1		
J8	9023114200	9140082	4251846108092	Cushion Holder	靠垫支架	1		
J9	9033114300	9140037	4251846107644	Cushion bracket plug	靠垫支架堵头	9		
J10	9023200100	9140088	4251846108153	main frame	主车架	1		
J11	43401907	9140089	4251846108160	bolt M6*35	M6*35法兰螺栓	1		
J12	43401902	9140090	4251846108177	bolt M6*16	M6*16法兰螺栓	2		
J13	43400401	9140091	4251846108184	Selflocking nuts M6	M6自锁螺母	2		
J14	43401923	9140092	4251846108191	bolt M8*25	M8*25法兰螺栓	4		
J15	9033110601	9140093	4251846108207	right turn signal	右转向灯	1		
J16	9033108700	9140094	4251846108214	turn signal tube	转向灯管	2		
J17	43400207	9140095	4251846108221	Gasket ø16	ø16垫片	2		
J18	43401708	9140018	4251846107453	nut M16*1.5	M16*1.5六角螺母	2		
J19		9140097	4251846108245	rivet ø5*12	ø5*12铆钉	2		
J20	9033115900	9140098	4251846108252	nameplate	铭牌	1		
J21	9023410501	9140099	4251846108269	seat cushion	坐垫固定片	1		
J22	9033117000	90610470101	4255675464763	Rear luggage rack black	选配	1		
		91401980101	4251846109495	rear Box black	选配	1		

K

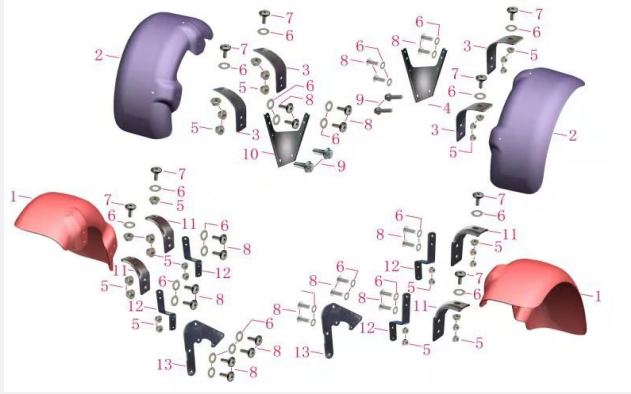


K 尾罩总成 tail cover assembly

Code	ERP NO.	new ET Art.	EAN Code	English name	中文名称	Qty.	order	note
K1	9023309400	91401000303	4251846108276	Left rear side panel matt wine red	左后侧板	1		
K1	9023309400	91401003401	4251846108740	Left rear side panel matt blue	左后侧板	1		
K1	9023309400	91401003210	4251846108757	Left rear side panel matt grey	左后侧板	1		
K1	9023309400	91401003510	4251846108764	Left rear side panel nardo grey glossy	左后侧板	1		
K1	9023309400	91401004504	4255675484082	Left rear side panel Kawa green glossy	左后侧板	1		
K1	9023309400	91401004505	4255675484099	Left rear side panel orange glossy	左后侧板	1		
K1	9023309400	91401004501	4255675484105	Left rear side panel black glossy	左后侧板	1		
K1	9023309400	91401004603	4255675484112	Left rear side panel Bordeaux red glossy	左后侧板	1		
K1	9023309400	91401004508	4255675484129	Left rear side panel white glossy	左后侧板	1		
K2	9023410100	91401010303	4251846108283	rear side panel bottom cover matt wine red	后侧板底罩	1		
K2	9023410100	91401013401	4251846108771	rear side panel bottom cover matt blue	后侧板底罩	1		
K2	9023410100	91401013210	4251846108788	rear side panel bottom cover matt grey	后侧板底罩	1		
K2	9023410100	91401013510	4251846108795	rear side panel bottom cover nardo grey glossy	后侧板底罩	1		
K2	9023410100	91401014504	4255675484136	rear side panel bottom cover Kawa green glossy	后侧板底罩	1		
K2	9023410100	91401014505	4255675484143	rear side panel bottom cover orange glossy	后侧板底罩	1		
K2	9023410100	91401014501	4255675484150	rear side panel bottom cover black glossy	后侧板底罩	1		
K2	9023410100	91401014603	4255675484167	rear side panel bottom cover Bordeaux red glossy	后侧板底罩	1		
K2	9023410100	91401014508	4255675484174	rear side panel bottom cover white glossy	后侧板底罩	1		
K3	9023309500	91401020303	4251846108290	right rear side panel matt wine red	右后侧板	1		
K3	9023309500	91401023401	4251846108801	right rear side panel matt blue	右后侧板	1		
K3	9023309500	91401023210	4251846108818	right rear side panel matt grey	右后侧板	1		
K3	9023309500	91401023510	4251846108825	right rear side panel nardo grey glossy	右后侧板	1		
K3	9023309500	91401024504	4255675484181	right rear side panel Kawa green glossy	右后侧板	1		
K3	9023309500	91401024505	4255675484198	right rear side panel orange glossy	右后侧板	1		
K3	9023309500	91401024501	4255675484204	right rear side panel black glossy	右后侧板	1		
K3	9023309500	91401024603	4255675484211	right rear side panel Bordeaux red glossy	右后侧板	1		
K3	9023309500	91401024508	4255675484228	right rear side panel white glossy	右后侧板	1		
K4	43402103	9140103	4251846108306	bolt M6*16	M6*16内六角大扁头螺栓	12		
K5	43400203	9140104	4251846108313	Gasket ø6	ø6垫片	18		
K6	43401504	9140105	4251846108320	nut M6	M6法兰防滑螺母	13		
K7	9033110900	9140106	4251846108337	rear tail light	后尾灯	1		
K8		9140107	4251846108344	bolt M5*20	M5*20十字半圆头螺栓	3		
K9	43400209	9140108	4251846108351	Gasket ø5	ø5垫片	3		
K10	43401701	9140109	4251846108368	nut M5	M5夹片螺母	3		
K11	9023107800	9140110	4251846108375	Rear tail light bracket left/right	后尾灯支架左	1		
K12	9023107800	9140110	4251846108375	Rear tail light bracket left/right	后尾灯支架右	1		
K13	9023410300	91401120303	4251846108399	tail light cover matt wine red	尾灯罩	1		
K13	9023410300	91401123401	4251846108832	tail light cover matt blue	尾灯罩	1		
K13	9023410300	91401123210	4251846108849	tail light cover matt gery	尾灯罩	1		
K13	9023410300	91401123510	4251846108856	tail light cover nardo grey glossy	尾灯罩	1		
K13	9023410300	91401124504	4255675484235	tail light cover Kawa green glossy	尾灯罩	1		
K13	9023410300	91401124505	4255675484242	tail light cover orange glossy	尾灯罩	1		
K13	9023410300	91401124501	4255675484259	tail light cover black glossy	尾灯罩	1		
K13	9023410300	91401124603	4255675484266	tail light cover Bordeaux red glossy	尾灯罩	1		
K13	9023410300	91401124508	4255675484273	tail light cover white glossy	尾灯罩	1		
K14	43402104	9140113	4251846108405	bolt M6*20	M6*20内六角大扁头螺栓	8		
K15	9033110601	9140093	4251846108207	right turn signal	右转向灯	1		
K16	9033108700	9140094	4251846108214	turn signal tube	转向灯管	2		
K17	43400207	9140095	4251846108221	Gasket ø16	ø16垫片	2		
K18	43401708	9140018	4251846107453	nut M16*1.5	M16*1.5六角螺母	2		
K19	9023207900	9140118	4251846108450	turn signal bracket	转向灯支架	1		
K20	9023310400	91401190303	4251846108467	rear card cover matt wine red	后牌罩板	1		
K20	9023310400	91401193401	4255816864773	rear card cover matt blue	后牌罩板	1		
K20	9023310400	91401193210	4255816864780	rear card cover matt gery	后牌罩板	1		
K20	9023310400	91401193510	4255816864797	rear card cover nardo grey glossy	后牌罩板	1		
K20	9023310400	91401194504	4255816864803	rear card cover Kawa green glossy	后牌罩板	1		
K20	9023310400	91401194505	4255816864810	rear card cover orange glossy	后牌罩板	1		
K20	9023310400	91401194501	4255816864827	rear card cover black glossy	后牌罩板	1		
K20	9023310400	91401194603	4255816864834	rear card cover Bordeaux red glossy	后牌罩板	1		
K20	9023310400	91401194508	4255816864841	rear card cover white glossy	后牌罩板	1		
K21	9033110600	9140056	4251846107835	left turn signal	左转向灯	1		
K22	9033110000	9140121	4251846108481	rear license plate lights	后牌照灯	1		
K23	9033110700	9140122	4251846108498	rear reflector	后反光片	2		
K24		9140123	4251846108504	Parking pump spacer ø8*ø15*8	驻车泵隔套ø8*ø15*8	4		

K25	9023110200	91401240303	4251846108511	rear cover matt wine red	后罩	1		
K25	9023110200	91401243401	4251846108863	rear cover matt blue	后罩	1		
K25	9023110200	91401243210	4251846108870	rear cover matt grey	后罩	1		
K25	9023110200	91401243510	4251846108887	rear cover nardo grey glossy	后罩	1		
K25	9023110200	91401244504	4255675484280	rear cover Kawa green glossy	后罩	1		
K25	9023110200	91401244505	4255675484297	rear cover orange glossy	后罩	1		
K25	9023110200	91401244501	4255675484303	rear cover black glossy	后罩	1		
K25	9023110200	91401244603	4255675484310	rear cover Bordeaux red glossy	后罩	1		
K25	9023110200	91401244508	4255675484327	rear cover white glossy	后罩	1		
K26	43401503	9140125	4251846108528	nut M5	M5法兰防滑螺母	2		

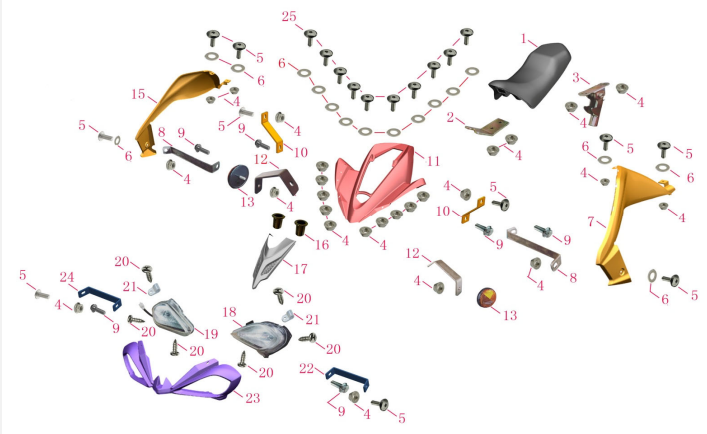
L



L 前后挡泥板总成 front and rear fender assembly

Code	ERP NO.	new ET Art.	EAN Code	English name	中文名称	Qty.	order	note
L1	9023208800	91401140303	4251846108412	front fender matt wine red	前挡泥板	2		
L1	9023208800	91401143401	4251846108894	front fender matt blue	前挡泥板	2		
L1	9023208800	91401143210	4251846108900	front fender matt grey	前挡泥板	2		
L1	9023208800	91401143510	4251846108917	front fender nardo grey glossy	前挡泥板	2		
L1	9023208800	91401144504	4255675484334	front fender Kawa green glossy	前挡泥板	2		
L1	9023208800	91401144505	4255675484341	front fender orange glossy	前挡泥板	2		
L1	9023208800	91401144501	4255675484358	front fender black glossy	前挡泥板	2		
L1	9023208800	91401144603	4255675484365	front fender Bordeaux red glossy	前挡泥板	2		
L1	9023208800	91401144508	4255675484372	front fender white glossy	前挡泥板	2		
L2	9023208900	91401150303	4251846108429	rear fender matt wine red	后挡泥板	2		
L2	9023208900	91401153401	4251846108924	rear fender matt blue	后挡泥板	2		
L2	9023208900	91401153210	4251846108931	rear fender matt grey	后挡泥板	2		
L2	9023208900	91401154504	4255675484389	rear fender Kawa green glossy	后挡泥板	2		
L2	9023208900	91401154505	4255675484396	rear fender orange glossy	后挡泥板	2		
L2	9023208900	91401154501	4255675484402	rear fender black glossy	后挡泥板	2		
L2	9023208900	91401154603	4255675484419	rear fender Bordeaux red glossy	后挡泥板	2		
L2	9023208900	91401154508	4255675484426	rear fender white glossy	后挡泥板	2		
L2	9023208900	91401153510	4251846108948	rear fender nardo grey glossy	后挡泥板	2		
L3	9023105300	9140116	4251846108436	Rear fender reinforcement	后挡泥板加强片	4		
L4	9023205200	9140117	4251846108443	Rear fender left bracket	后挡泥板左支架	1		
L5	43401504	9140105	4251846108320	nut M6	M6法兰防滑螺母	32		
L6	43400203	9140104	4251846108313	Gasket ø6	ø6垫片	32		
L7	43402103	9140103	4251846108306	bolt M6*16	M6*16内六角大扁头螺栓	8		
L8	43402105	9140096	4251846108238	bolt M6*25	M6*25内六角大扁头螺栓	24		
L9	43402009	9140111	4251846108382	bolt M8*16	M8*16圆头内六角螺栓	4		
L10	9023205210	9140126	4251846108535	Rear fender right bracket	后挡泥板右支架	2		
L11	9023205100	9140127	4251846108542	Front fender reinforcement	前挡泥板加强片	4		
L12	9023104900	9140128	4251846108559	Front fender attachment bracket	前挡泥板连接支架	4		
L13	9023205000	9140129	4251846108566	Front fender mounting bracket	前挡泥板安装支架	2		

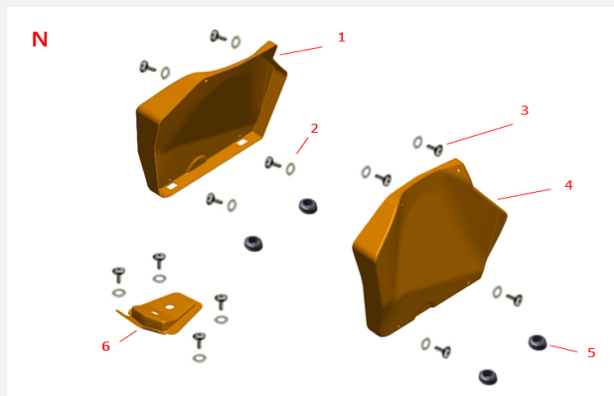
M



M 前体总成1 front body assembly 1

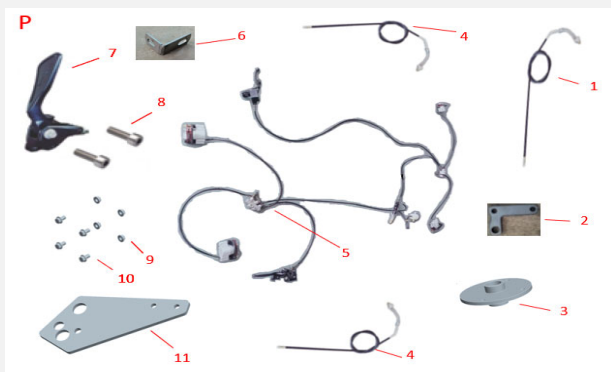
Code	ERP NO.	new ET Art.	EAN Code	English name	中文名称	Qty.	order	note
M1+2+3	9033110500	9140120	4251846108474	cushion inclusive front and back buckles	坐垫	1		
M2				front seat cushion	坐垫前扣			
M3				Cushion back button	坐垫后扣			
M4	43401504	9140105	4251846108320	nut M6	M6法兰防滑螺母	26		

M5	43402103	9140103	4251846108306	bolt M6*16	M6*16内六角大扁头螺栓	10		
M6	43400203	9140104	4251846108313	Gasket ø6	ø6垫片	16		
M7	9023309200	91401320303	4251846108597	left front side panel matt wine red	左前侧板	1		
M7	9023309200	91401323401	4251846109167	left front side panel matt blue	左前侧板	1		
M7	9023309200	91401323210	4251846109174	left front side panel matt grey	左前侧板	1		
M7	9023309200	91401323510	4251846109181	left front side panel nardo grey glossy	左前侧板	1		
M7	9023309200	91401324504	4255675484433	left front side panel green glossy	左前侧板	1		
M7	9023309200	91401324505	4255675484440	left front side panel orange glossy	左前侧板	1		
M7	9023309200	91401324501	4255675484457	left front side panel black glossy	左前侧板	1		
M7	9023309200	91401324603	4255675484464	left front side panel Bordeaux red glossy	左前侧板	1		
M7	9023309200	91401324508	4255675484471	left front side panel white glossy	左前侧板	1		
M8	9023208200	9140133	4251846108603	Front side panel bracket	前侧板支架	2		
M9	43401902	9140090	4251846108177	bolt M6*16	M6*16法兰螺栓	6		
M10	9023208000	9140135	4251846108627	front plastic body bracket	前体支架	2		
M11	9023309000	91401360303	4251846108634	front plastic body matt wine red	前体	1		
M11	9023309000	91401363401	4255675457291	front plastic body matt blue	前体	1		
M11	9023309000	91401363210	4255675457307	front plastic body matt grey	前体	1		
M11	9023309000	91401363510	4255675457314	front plastic body nardo grey glossy	前体	1		
M11	9023309000	91401364504	4255675484488	front plastic body green glossy	前体	1		
M11	9023309000	91401364505	4255675484495	front plastic body orange glossy	前体	1		
M11	9023309000	91401364501	4255675484501	front plastic body black glossy	前体	1		
M11	9023309000	91401364603	4255675484518	front plastic body Bordeaux red glossy	前体	1		
M11	9023309000	91401364508	4255675484525	front plastic body white glossy	前体	1		
M12	9023208100	9140137	4251846108641	Side reflector bracket	侧反光片支架	2		
M13	9033110800	9140138	4251846108658	side reflector	侧反光片	2		
M15	9023309300	91401390303	4251846108665	right front side panel matt wine red	右前侧板	1		
M15	9023309300	91401393401	4255816889745	right front side panel matt blue	右前侧板	1		
M15	9023309300	91401393210	4255816889752	right front side panel matt grey	右前侧板	1		
M15	9023309300	91401393510	4255816889769	right front side panel nardo grey glossy	右前侧板	1		
M15	9023309300	91401394504	4255816889776	right front side panel green glossy	右前侧板	1		
M15	9023309300	91401394505	4255816889783	right front side panel orange glossy	右前侧板	1		
M15	9023309300	91401394501	4255816889790	right front side panel black glossy	右前侧板	1		
M15	9023309300	91401394603	4255816889806	right front side panel Bordeaux red glossy	右前侧板	1		
M15	9023309300	91401394508	4255816889813	right front side panel white glossy	右前侧板	1		
M16	FZCL042	9140140	4251846108672	pull cap M6	M6拉帽	2		
M17	9023209100	9140141	4251846108689	front plastic cover	头罩	1		
M18	9033109900	9140142	4251846108696	left headlight	左前大灯	1		
M19	9033110000	9140143	4251846108702	right headlight	右前大灯	1		
M19		9140195	4251846109464	bulb	灯泡	1		
M20		9140144	4251846108719	Selftapping screwsST4.0*13	ST4.0*13自攻螺丝	6		
M21		9140145	4251846108726	snap	线卡	2		
M22	9023107700	9140146	4251846108733	Headlight left/right bracket	前大灯左/右支架	1		
M23	9023409800	9140147	4251846108955	headlight cover	大灯罩	1		
M24	9023107700	9140146	4251846108733	Headlight left/right bracket	前大灯右/左支架	1		
M25	43401310	9140149	4251846108979	bolt M6*16	M6*16不锈钢大扁头螺栓	10		



N 前体总成2 front body assembly 2

Code	ERP NO.	new ET Art.	EAN Code	English name	中文名称	Qty.	order	note
N1	9023409700	91401500101	4251846108986	Right fender black	右侧档板	1		
N2	43400203	9140104	4251846108313	Gasket ø6	ø6垫片	12		
N3	43402104	9140113	4251846108405	bolt M6*20	M6*20内六角大扁头螺栓	12		
N4	9023409600	91401530101	4251846109013	Left fender black	左侧档板	1		
N5	9033115200	9140154	4251846109020	side plate fixing ring	侧板固定圈	4		
N6	9023302300	91401550303	4251846109037	fuel tank trim cover matt wine red	油箱装饰盖	1		
N6	9023302300	91401553401	4255816890086	fuel tank trim cover matt blue	油箱装饰盖	1		
N6	9023302300	91401553210	4255816890093	fuel tank trim cover matt grey	油箱装饰盖	1		
N6	9023302300	91401553510	4255816890109	fuel tank trim cover nardo grey glossy	油箱装饰盖	1		
N6	9023302300	91401554504	4255816890116	fuel tank trim cover green glossy	油箱装饰盖	1		
N6	9023302300	91401554505	4255816890123	fuel tank trim cover orange glossy	油箱装饰盖	1		
N6	9023302300	91401554501	4255816890130	fuel tank trim cover black glossy	油箱装饰盖	1		
N6	9023302300	91401554603	4255816890147	fuel tank trim cover Bordeaux red glossy	油箱装饰盖	1		
N6	9023302300	91401554508	4255816890154	fuel tank trim cover white glossy	油箱装饰盖	1		



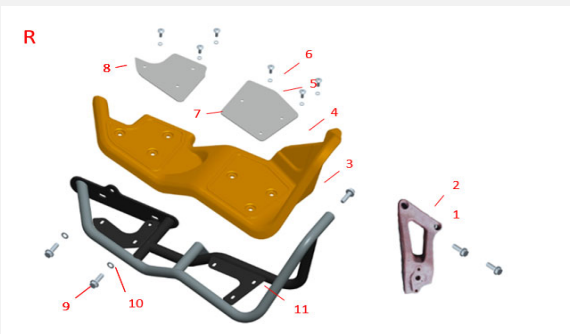
P 刹车系统 brake system

Code	ERP NO.	new ET Art.	EAN Code	English name	中文名称	Qty.	order	note
P1	9033113700	9140156	4251846109044	Parking main line	驻车主线	1		
P2	9023205600	9140157	4251846109051	Oil bottle mounting plate	油壶安装片	1		
P3	9023213760	9140158	4251846109068	parking splitter	驻车分线座	1		
P4	9033113750	9140159	4251846109075	Parking line	驻车分线	2		
P5	9033106002	9140160	4251846109082	brake assembly	刹车总成	1		
P6	9033113600	9140161	4251846109099	bracket	油管支架	1		
P7		9140162	4251846109105	parking handle	驻车手柄	1		
P8	43402004	9140163	4251846109112	bolt M6*20	M6*20内六角螺栓	2		
P9	43400401	9140091	4251846108184	nut M6	M6自锁螺母	4		
P10	43401908	9140165	4251846109136	bolt M6*40	M6*40法兰螺栓	4		
P11	9023211800	9140166	4251846109143	Parking handle fixing bracket	驻车手柄固定片	1		



Q 电器控制系统 electric control system

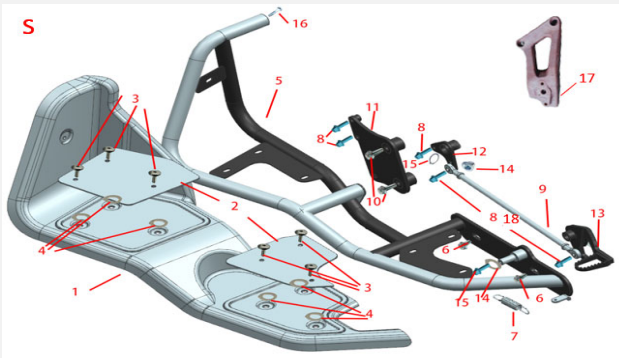
Code	ERP NO.	new ET Art.	EAN Code	English name	中文名称	Qty.	order	note
Q1	9033114900	9140130	4251846108573	ignition switch	电门锁	1		
Q2	9033111200	9140131	4251846108580	controller	控制器	1		
Q3	9033114600	9140134	4251846108610	DC converter	DC转换器	1		
Q4	9033113500	9140148	4251846108962	Flasher	闪光器	1		
Q5	9023213900	9140151	4251846108993	battery pressure plate	电池压板	1		
Q6	9033113800	9140152	4251846109006	Horn	喇叭	1		
Q7	9033115001	9140164	4251846109129	charger 72V 18A	充电器 72V 18A	1		
Q8	9033111400	9140167	4251846109150	Lithium battery 72V100AH	锂电池 72V100AH	1		
Q9	9033114701	9140168	4251846109198	charging port	充电口	1		
Q10	9023214000	9140169	4251846109204	battery tie rod M10	电池压条拉杆 M10	2		
Q11	9033115100	9140170	4251846109211	Air switch 125A	空气开关 125A	1		
Q12	9033114800	9140171	4251846109228	cable assy	总线	1		



R 大脚踏板左 big foot pedal left

Code	ERP NO.	new ET Art.	EAN Code	English name	中文名称	Qty.	order	note
R1	43402009	9140172	4251846109235	bolt M8*25	内六角螺栓M8*25	2		
R2	9023212500	9140173	4251846109242	Muffler bracket upper left	消声器支架左上段	1		
R3	43401953	9140174	4251846109259	bolt M10*35	法兰螺栓M10*35	1		
R4	9023212900	9140175	4251846109266	Left pedal plastic	左脚踏塑料件	1		
R5	43400210	9140176	4251846109273	Flat pad Φ6	Φ6大平垫	6		
R6	43402103	9140103	4251846108306	Large flat head bolt M6*16	M6*16内六角大扁头螺栓	6		
R7	9013113200	9140178	4251846109297	Aluminum checker plate left rear	铝花纹板左后	1		
R8	9013113100	9140179	4251846109303	Aluminum checker plate left front	铝花纹板左前	1		

R9	43401950	9140180	4251846109310	bolt M10*20	M10*20法兰螺栓	2		
R10	43400205	9140181	4251846109327	Flat pad Φ10	Φ10平垫	2		
R11	9023112700	9140182	4251846109334	Left pedal bracket	左脚踏支架	1		



S 大脚踏板右 big foot pedal right

Code	ERP NO.	new ET Art.	EAN Code	English name	中文名称	Qty.	order	note
S1	9023213000	9140183	4251846109341	Right pedal plastic	右脚踏塑料件	1		
S2	9013113400	9140184	4251846109358	Aluminum checker plate right rear	铝花纹板右后	1		
S3	43402103	9140185	4251846109365	bolt M6*16	M6*16内六角大扁头螺栓	6		
S4	43400210	9140176	4251846109273	Flat pad Φ6	Φ6大平垫	6		
S5	9023112800	9140187	4251846109389	right pedal bracket	右脚踏支架	1		
S6	43401950	9140180	4251846109310	bolt M10*20	M10*20法兰螺栓	2		
S7	9033211600	9140189	4251846109402	foot brake spring	脚刹拉簧	1		
S8	43402009	9140172	4251846109235	bolt M8*25	内六角螺栓M8*25	5		
S9	9033103903	9140191	4251846109426	Foot brake connecting rod	脚刹连接杆	1		
S10	43401926	9140192	4251846109433	bolt M8*40	M8*40法兰螺栓	2		
S11	9023212400	9140193	4251846109440	brake mount	刹车固定座	1		
S12	9023212100	9140194	4251846109457	Foot brake connector	脚刹连接座	1		
S13	9023212000	9140190	4251846109419	Foot brake bracket	脚刹支架	1		
S14	43401703	9140068	4251846107958	Locknut M8	M8防松螺母	2		
S15	43402405	9140188	4251846109396	Outer circlip Φ13.5	外卡簧Φ13.5	1		
S16	43401953	9140174	4251846109259	bolt M10*35	M10*35法兰螺栓	1		
S17	9023212600	9140177	4251846109280	Upper right section of muffler bracket	消声器支架右上段	1		
S18	9013113300	9140186	4251846109372	Aluminum checker plate right front	铝花纹板右前	1		
		9140401	4255675489452	Sticker chrome		2		



www.nitromotors.de

Copyright © 2025 Nitromotors | All rights reserved. "Nitromotors" is a registered trademark of Menila Import.
 Druckfehler und Irrtümer vorbehalten. Menila Import | Hafnenbahnstr. 5 | 45881 Gelsenkirchen | E-Mail: parts@menilagroup.de