

ART-NR. 1161049

1000W REPLAY

E-QUAD

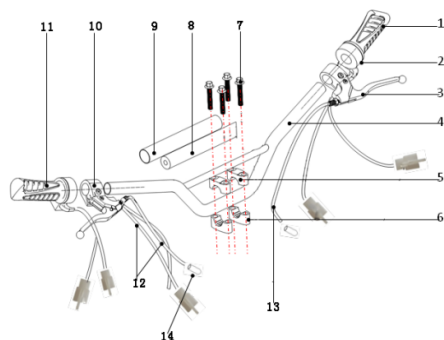


www.nitromotors.de

ERSATZTEILLISTE | SPARE PARTS LIST

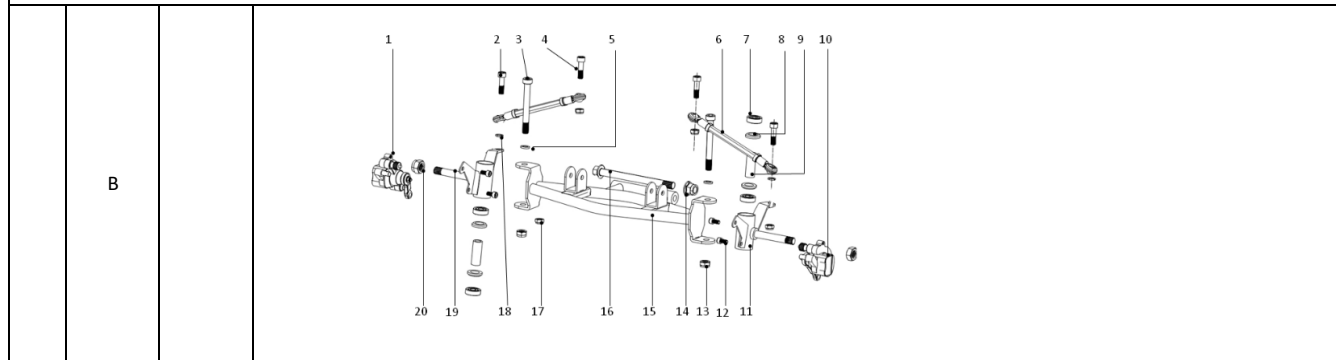
VERS. 1.0 | 19.08.2025

(手把) HANDLEBAR ASSY.



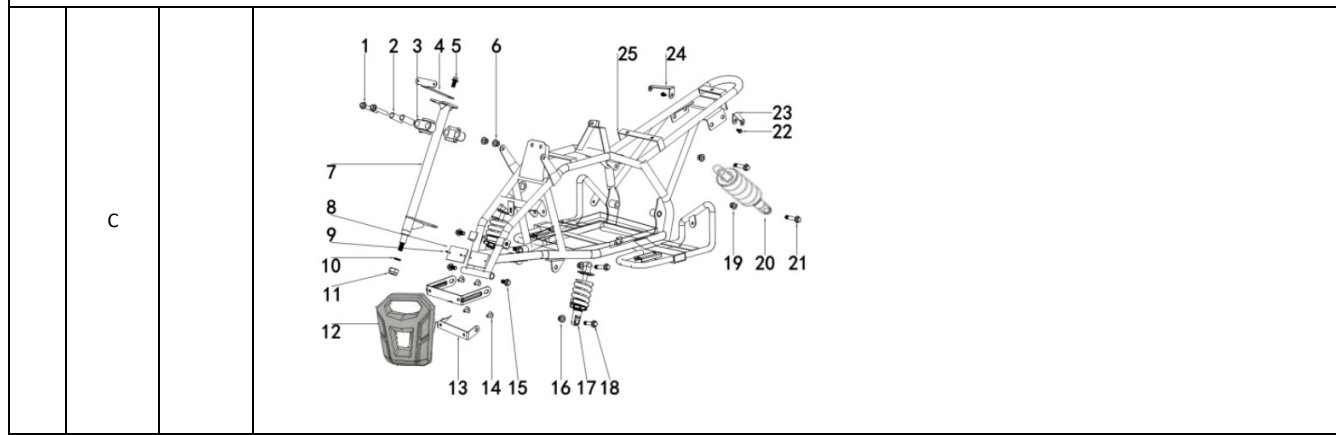
序号	零件编号 SKU	Menila Art.	EAN Code	英文名称 Spare part name in English	中文名称	规格 Specification	ORDER	Note
A-1	305010008	90753080101	4251814663967	Left Rubber Grip	电动小四轮把套	左. T687		
A-2	306370001	9071609	4251814663974	Horn Switch	喇叭开关			
A-3	305340002	9071033	4251814663981	Rear Brake Lever	电启动·电动小四轮·电动小越野左 刹把	二指握距半铝刹把·圆形手柄·带刹车 开关线		
A-4	302290002	90730600101	4251814663998	Handlebar	小四轮·小越野手把管	L=565±5mm, 带横杆·亚光黑色		
A-5	305260003	90730610101	4251814664001	Handlebar Upper Clamp	上锁扣	铝制·压铸黑色·四轮车通用款		
A-6	305280003	90730620101	4251814664018	Handlebar Holder	下锁扣	铝制·压铸黑色·四轮车通用款		
A-7	308020043	9075309	4251814664094	Flange Bolt	法兰螺丝	M8*50		
A-8	307270002	9073063	4251814664025	Handlebar Sponge	小越野·小四轮海绵管	φ14*φ35*170mm		
A-9	307160002	90730640505	4251814664032	Handlebar Sponge Cover orange	横布条 桔色	L=170mm		
A-9	307160002	90730640303	4251846134114	Handlebar Sponge Cover red	横布条 桔色	L=170mm		
A-9	307160002	90730640404	4251846134121	Handlebar Sponge Cover green	横布条 桔色	L=170mm		
A-9	307160002	90730640202	4251846134138	Handlebar Sponge Cover blue	横布条 桔色	L=170mm		
A-9	307160002	90730640101	4251846134145	Handlebar Sponge Cover black	横布条黑色	L=170mm		
A-10	305300001	9071034	4251814664049	Front Brake Lever	二指半铝双刹刹把	二指握距半铝右双刹刹把·圆形·带刹 车开关线		
A-11	306500014	9072607	4251814664056	Throttle Assy with 36V Electricity Meter (Lead Acid)	电动小四轮转把	小四轮款·36V铅酸电量表·无开关		
	306500015	9075224	4251814658147	Throttle Assy with 36V Electricity Meter (Lead Acid) and ON/OFF kill switch	电动小四轮转把	小四轮款·36V铅酸电量表·熄火开关		OPTION
	306500013	9072608	4251814664063	Throttle Assy with 36V Electricity Meter (Lead Acid) and lamp switch	电动小四轮转把	小四轮款·36V铅酸电量表·大灯开关		OPTION
A-12	305230007	9071035	4251814664070	Front Brake Cable	刹车线(立头)	800*950mm		
A-13	305230001	9075411	4251814648179	Rear Brake Cable	刹车线	1000*1150mm		
A-14	305240001	9075155	4251814691731	Brake cable ending cap	刹车线线帽			

(前摇臂) FRONT SWING ARM ASSY.



序号	零件编号 SKU	Menila Art.	EAN Code	英文名称 Spare part name in English	中文名称	规格 Specification	ORDER	Note
B-1	305130002	9071017	4251814687598	Front Brake Caliper, Right, Red	机械碟刹器	普通反2款, 红色		
B-2	308190018	9076008	4251814682456	Hex Socket Cap Bolt	内六角螺丝	M8*30		
B-3	308190003	9075299	4251814663851	Hex Socket Cap Bolt	内六角螺丝	M10*85*1.5		
B-4	308190017	9076007	4251814682449	Hex Socket Cap Bolt	内六角螺丝	M8*25		
B-5	308210001	9075230	4251814660041	Flat Washer	平垫	φ10*φ20*1.5		
B-6	304220001	9076020	4251814687574	Tie Rod Assy	球头拉杆	L=105mm含螺纹长度		
B-7	304290001	9076055	4251814662366	Bearing 6000RS	轴承	6000RS		
B-8	308340002	9075300	4251814663868	Rubber Washer	橡胶居中垫	φ13*φ23*5mm, 小四轮羊角		
B-9	308090010	9075301	4251814663875	Spacer	小四轮通用羊角隔套	φ14*1.5*46.5mm		
B-10	305130006	90710180303	4251814687604	Front Brake Caliper, Left, Red	机械碟刹器	普通正2款, 红色		
B-11	304260005	9075302	4251814663899	Left Wheel Spindle	小四轮通用左羊角	小四轮4寸/6寸通用羊角, 轴M12		
B-12	308190006	9075285	4251814663677	Hex Socket Cap Bolt	内六角螺丝	M6*12		
B-13	308050001	9075231	4251814660058	Lock Nut	防松螺母	M10*1.5		
B-14	308350001	9075198	4251814656952	Self-lock Nut	自锁螺母	M10*1.25		
B-15	302280010	90796150505	4251814663905	Front Swing Arm orange	小四轮前摇臂 桔色	小四轮款		
B-15	302280010	90796150303	4251846133988	Front Swing Arm red	小四轮前摇臂 桔色	小四轮款		
B-15	302280010	90796150404	4251846133995	Front Swing Arm green	小四轮前摇臂 桔色	小四轮款		
B-15	302280010	90796150202	4251846134008	Front Swing Arm blue	小四轮前摇臂 桔色	小四轮款		
B-15	302280010	90796150101	4251846134176	Front Swing Arm black	小四轮前摇臂黑色	小四轮款		
B-16	308020003	9075303	4251814663912	Flange Bolt	法兰螺丝	M10*150*1.25		
B-17	308050006	9075234	4251814660089	Lock Nut	防松螺母	M8		
B-18	308010005	9075306	4251814663943	Spring Washer	弹垫	φ8		
B-19	304250005	9075304	4251814663929	Right Wheel Spindle	小四轮通用右羊角	小四轮4寸/6寸通用羊角, 轴M12		
B-20	308050002	9075307	4251814663950	Lock Nut	防松螺母	M12*1.5		
B-21	304110001	9075305	4251814663936	Nylon bush	尼龙套	φ10*φ17*38mm		

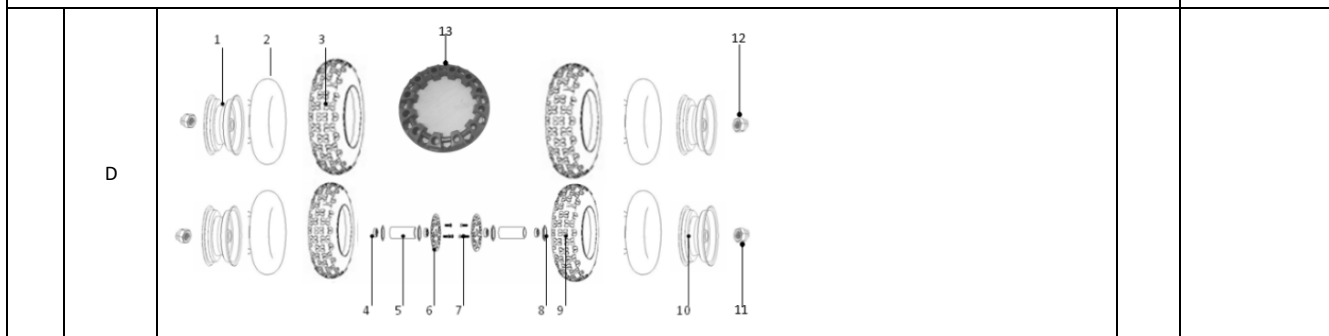
E-QD06 (车架) FRAME ASSY.



序号	零件编号 SKU	Menila Art.	EAN Code	英文名称 Spare part name in English	中文名称	规格 Specification	ORDER	Note
C-2	308090046	9075310	4251814664100	Steering Rod Clamp Spacer	小四轮方向柱隔套	φ12*φ10*34mm		
C-3	305060002	9075311	4251814664117	Steering Rod Clamp Upper&Lower	方向柱锁扣, 套装 (上下为1套)	小四轮款		
C-4	302480002	9079618	4251814664193	Number Plate Bracket	小四轮号码牌支架	小四轮款		
C-7	302470002	9075312	4251814664124	Steering Rod	小四轮方向柱	L=380mm		
C-12	307020006	9073066	4251814664186	Bumper H style	塑料保险杠H款	吹塑, H款		
C-13	302020003	9079617	4251814664162	Bumper fix plate, lower	小四轮保险杠下固定支架	H款, 镀锌		
	302020001	9079616	4251814664155	Bumper fix plate, upper	小四轮保险杠上固定支架	H款, 镀锌		
C-17	304150002	9077023	4251814664148	Front Shock	前减震	φ4.5-150mm, 黑色弹簧		
C-20	304020006	9077022	4251814664131	Rear Shock	小四轮后减震	φ7-125mm, 黑色弹簧		
C-23	302040002	9075193	4251814656839	Plastic holding plate, left	塑料件左固定片			
C-24	302040003	9075404	4251814647547	Plastic holding plate, right	塑料件右固定片			
C-25	302030106	9079601	4251814682890	Frame, Black	车架	电池盒状态, 亚光黑色		
C-1	308020043	9075309	4251814664094	Flange Bolt	法兰螺丝	M8*50		
C-5	308020037	9075243	4251814660171	Flange Bolt	法兰螺丝	M8*16		
C-6	308050006	9075234	4251814660089	Lock Nut	防松螺母	M8		
C-8	302230001			CE Plate	铝牌	安装孔距: 56mm		
C-9	308150001	9075226	4251814660003	Rivet	铆钉	φ3.2*9		
C-10	308210001	9075230	4251814660041	Washer	平垫	φ10*φ20*1.5		
C-11	308050001	9075231	4251814660058	Lock Nut	防松螺母	M10*1.5		

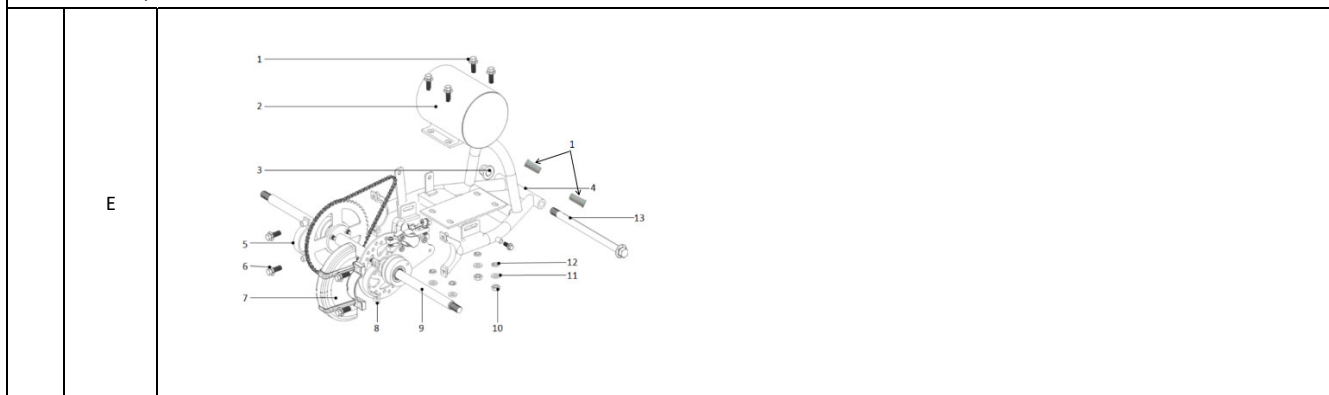
C-14	308170001	9075314	4251814664223	Hex Socket Cap Bolt	内六角大扁头螺丝	M6*10		
C-15	308020036	9075354	4251814666913	Flange Bolt	法兰螺丝	M8*14		
C-16	308050006	9075234	4251814660089	Lock Nut	防松螺母	M8		
C-18	308020042	9075297	4251814663837	Flange Bolt	法兰螺丝	M8*40		
C-19	308050006	9075234	4251814660089	Lock Nut	防松螺母	M8		
C-21	308020042	9075297	4251814663837	Flange Bolt	法兰螺丝	M8*40		
C-22	308020037	9075243	4251814660171	Flange Bolt	法兰螺丝	M8*16		

(6寸轮组装) 6" WHEEL & TIRE ASSY.



序号	零部件编号 SKU	Menila Art.	EAN Code	英文名称 Spare part name in English	中文名称	规格 Specification	ORDER	Note
D-1	304080021	90740050101	4251814664247	Rear Wheel Hub 6",Black	后轮轮毂	6寸, 小四轮带键槽后轮毂·卷边·黑色		
D-2	304090004	9120126	4255675490212	Inner Tube 13.50-6"	内胎	6寸内胎, 13.50-6" (N/M) 威狮		
D-3	304100003	9120125	4255675490267	Rear Outer Tire 13*5.00-6"	后轮外胎	6寸后轮外胎·13*5.00-6, 蜘蛛花纹 (N/M) 威狮		
D-4	304290002	9075211	4251814657225	Bearing 6001RS	轴承	6001RS		
D-9	304100004	9120129	4255675490274	Front Outer Tire 4.10-6"	前轮外胎	6寸前轮外胎·4.10-6, 蜘蛛花纹 (N/M) 威狮		
D-10	304080018	90740010101	4251814683521	Front Wheel Hub 6",Black	前轮轮毂	6寸, 前轮毂·卷边·黑色		
D-5	308090023	9075315	4251814664308	Front Wheel Spacer	小四轮前轮中间隔套	φ16*1.5*64.5mm		
D-6	305040002	9071037	4251814664315	Front Brake Disc	小四轮前碟刹盘	φ120*2, 中心孔: φ37mm		
D-7	308200001	9075238	4251814660126	Hex Socket Cap Bolt	内六角小扁头螺丝	M6*8		
D-8	308340001	9075316	4251814664322	Rubber Washer	橡胶居中垫	φ15*φ25*5mm, 6寸小四轮前轮毂		
D-11	307490002	9075317	4251814664339	Front wheel nut cover	前轮螺母防护盖	M12-19		
D-12	307490003	9075318	4251814664346	Rear wheel nut cover	后轮螺母防护盖	M14-22		
D-13	307480005	90746000404	4251814683507	Wheel rim cover 6" green	轮毂装饰盖 绿色	6寸		
D-13	307480005	90746000202	4251814683514	Wheel rim cover 6" blue	轮毂装饰盖 蓝色	6寸		
D-13	307480005	90746000505	4251846133797	Wheel rim cover 6" orange	轮毂装饰盖 桔色	6寸		
D-13	307480005	'90746000101	4251846133810	Wheel rim cover 6" black	轮毂装饰盖 黑色	6寸		
D-13	307480005	90746000303	4251846133827	Wheel rim cover 6" red	轮毂装饰盖 红色	6寸		

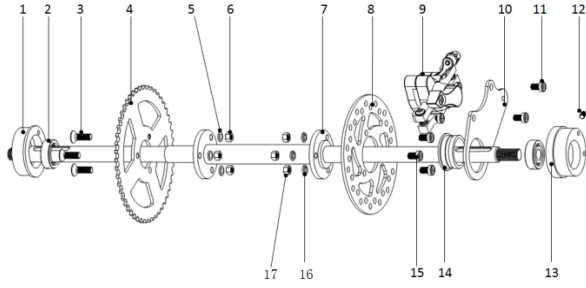
(电机与后叉组装) MOTOR & REAR SWING ARM



序号	零部件编号 SKU	Menila Art.	EAN Code	英文名称 Spare part name in English	中文名称	规格 Specification	ORDER	Note
E-1	308020038	9075319	4251814664445	Flange Bolt	法兰螺丝	M8*20		
E-2	301010009	9079005	4251814681831	Motor 36V1000W	有刷电机	小四轮36V/1000W, 25H-9齿·有刷		
E-3	308350001	9075198	4251814656952	Self-lock Nut	自锁螺母	M10*1.25		
E-4	302330016	9079620	4251814664391	Rear Swing Arm,Black	小四轮电动后叉	小四轮电动后叉(装尼龙套)·哑光黑色		
E-5	302350001	9079621	4251814664407	Rear Wheel Axle Hoop, L	小四轮后轴左半圆抱箍	焊接隔套		
E-6	308020030	9075320	4251814664452	Flange Bolt	法兰螺丝	M6*30		
E-7	307200001	9073067	4251814664421	Disc Guard	后碟刹盘护罩	大号(配φ140碟刹盘)		
E-8	302340001	9079622	4251814664414	Rear Wheel Axle Hoop, R	小四轮后轴右半圆抱箍			
E-9	303010001	9078514	4251814664490	Rear Wheel Axle 6"---NEW	6寸轮后轴	L=575mm		
E-10	308050006	9075234	4251814660089	Lock Nut	防松螺母	M8		
E-11	308010005	9075306	4251814663943	Spring Washer	弹垫	φ8		
E-12	308210010	9075361	4251814667040	Flat Washer	平垫	φ8*φ16*1.5		
E-13	308020008	9078513	4251814664438	Rear Swing Arm Axle:Flange Bolt	法兰螺栓(后叉轴杆)	M10*195*1.25		
E-14	304110001	9075305	4251814663936	Nylon bush	尼龙套	φ10*φ17*38mm		

(后轴组装) REAR WHEEL AXLE ASSY.

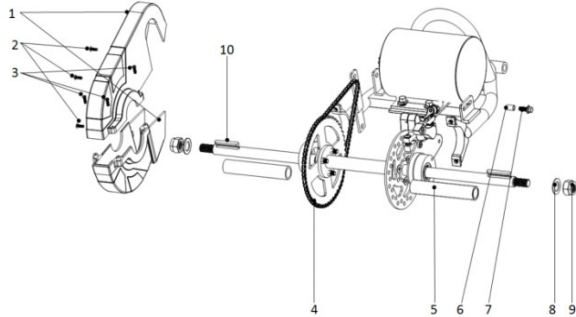
F



序号	零部件编号 SKU	Menila Art.	EAN Code	英文名称 Spare part name in English	中文名称	规格 Specification	ORDER	Note
F-1	303090001	9075321	4251814664469	Left Eccentric	偏心轮左	φ49*φ35*16		
F-2	304290004	9076057	4251814664476	Bearing	轴承	6003RS		
F-4	303020006	9072009	4251814664483	Driven Sprocket 25H-72T	电动小四轮链轮	25H-72齿·内孔φ29mm		
F-8	305050004	9071059	4251814647387	Rear Brake Disc for 6" wheel axle	6寸小四轮后碟刹盘	小四轮6寸轮款·φ140*2mm, 中心孔φ29mm, 安装孔中心距38.5mm		
F-9	305150004	90711370303	4255675411583	Rear Brake Caliper, RED	后碟刹器	碟刹器反2-9款, 红色		OPTION
F-10	302140006	9075322	4251814664513	Rear Brake Caliper Holder	小四轮6寸轮后碟刹器固定支架	小四轮6寸轮·后碟刹固定		
F-13	303080001	9075323	4251814664520	Right Eccentric	偏心轮右	φ49*φ35*22		
F-14	303070001	9075324	4251814664537	Eccentric Spacer	偏心轮台阶隔套	φ28*φ35*16mm (新款)		
F-3	308320003	9075251	4251814660256	Hex Socket Cap Bolt	外六角螺丝	M6*16		
F-5	308010004	9075253	4251814660270	Spring Washer	弹垫	φ6		
F-6	308050005	9075228	4251814660027	Lock Nut	防松螺母	M6		
F-11	308190006	9075285	4251814663677	Hex Socket Cap Bolt	内六角螺丝	M6*12		
F-12	308180001	9075325	4251814664544	Hex Socket Cap Bolt	内六角锯齿螺丝	M5*10		
F-15	308190007	9075251	4251814660256	Hex Socket Cap Bolt	内六角螺丝	M6*16		
F-16	308010004	9075253	4251814660270	Spring Washer	弹垫	φ6		
F-17	308050005	9075228	4251814660027	Lock Nut	防松螺母	M6		

(链条/链罩) CHAIN & CHAIN COVER ASSY.

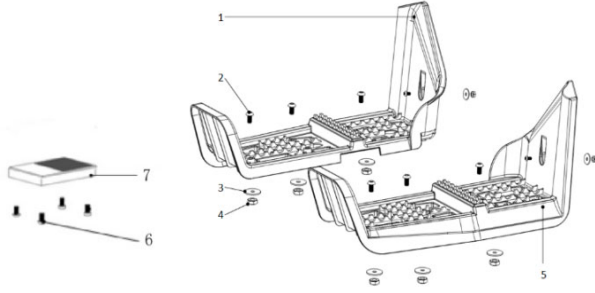
G



序号	零部件编号 SKU	Menila Art.	EAN Code	英文名称 Spare part name in English	中文名称	规格 Specification	ORDER	Note
G-1	307450006	90730680101	4251814664551	Chain Cover Complete	电动小四轮链罩	电动小四轮通用·大号		
	307450007	90732400101	4255675411019		电动小四轮链罩	电动小四轮通用·小号		
G-4	303040005	9072308	4251814664568	Chain 25H-92 Links	电动小四轮链条	25H-92节·电动小四轮通用		
G-5	308090037	9075326	4251814664575	Rear Wheel Axle 6" Sleeve	6寸小四轮轴边隔套	φ20*φ17*112mm		
G-6	308090044	9075327	4251814664582	Spacer	小四轮隔套	φ8*φ6*14mm		
G-10	308030001	9075328	4251814664599	Pin (fixed into axle of 6" wheel)	方键	40*6		
G-9	308050003	9075330	4251814664612	Lock Nut	防松螺母	M14*1.5		
G-2	308200001	9075238	4251814660126	Hex Socket Cap Bolt	内六角小扁头螺丝	M6*8		
G-3	308270003	9075241	4251814660157	Cross self-tapping screw, Flat Head	十字扁头自攻	M4*12		
G-7	308020029	9075240	4251814660140	Flange Bolt	法兰螺丝	M6*25		
G-8	308010003	9075329	4251814664605	Spring Washer	弹垫	φ14		

(脚踏) FOOTREST ASSY.

H

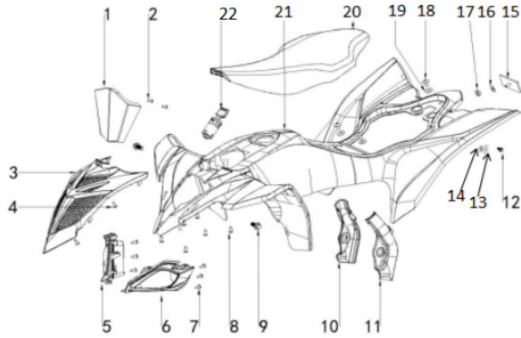


序号	零部件编号 SKU	Menila Art.	EAN Code	英文名称 Spare part name in English	中文名称	规格 Specification	ORDER	Note
H-1	307650004	90730690101	4251814664629	Footrest,right	右脚踏板	小四轮通用款		
H-5	307660004	90730700101	4251814664636	Footrest,left	左脚踏板	小四轮通用款		
H-7	306310001	9071610	4251814664643	Safety Pedal Switch	电动小四轮脚踏安全开关			OPTION
H-2	308160002	9075171	4251814694220	Hex Socket Cap Bolt,Button Head	内六角半圆头螺丝	M6*16		
H-3	308210009	9075247	4251814660218	Washer	平垫	φ6*φ16*1.5		
H-4	308050005	9075228	4251814660027	Lock Nut	防松螺母	M6		
H-6	308260001	9075257	4251814661680	Philip's Head Screw	十字扁头螺丝	M4*12		

Note: 安装脚踏开关时,需在脚踏板上安装一颗普通六角螺母: M6 螺母厚度: 3.5mm

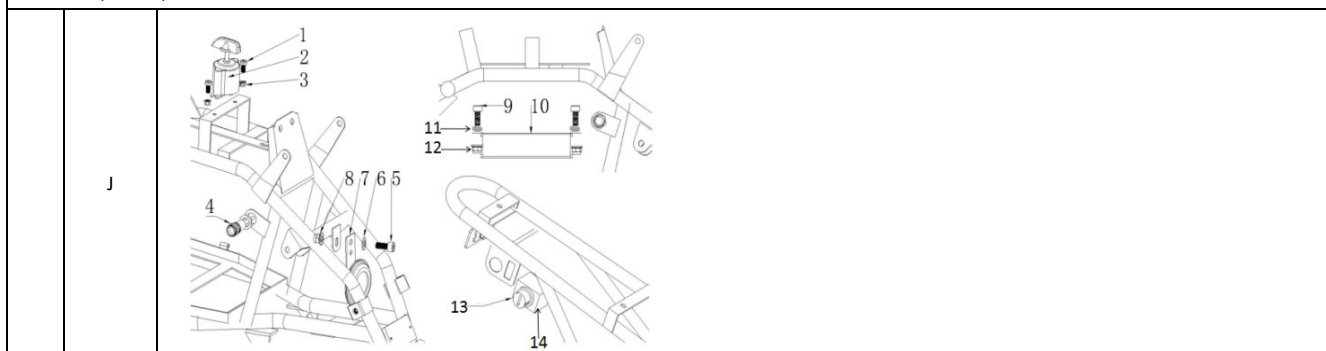
(车体塑料件) PLASTIC BODY KITS

I



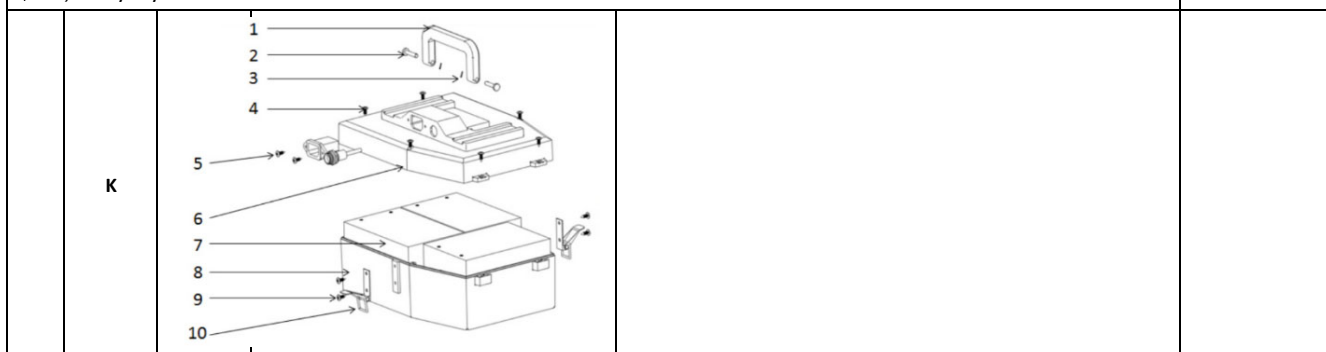
序号	零部件编号 SKU	Menila Art.	EAN Code	英文名称 Spare part name in English	中文名称	规格 Specification	ORDER	Note
I-1	307150005	90730710101	4251814664650	Number Plate, black	小四轮号码牌			
I-3	307610019	90730940505	4251814647516	Head fairing. orange	头罩桔色			
I-3	307610019	90730940303	4251814668986	Head fairing. red	头罩红色			
I-3	307610019	90730940404	4255675417844	Head fairing. green	头罩绿色			
I-3	307610019	90730940202	4255675417851	Head fairing. blue	头罩蓝色			
I-3	307610019	90730940101	4255675417868	Head fairing. Black	头罩黑色			
I-5	306100019	9073013	4251814682883	36V LED Lamp, R	大灯右	36V. LED灯泡		OPTION
	306100020	9075391	4251814669020	False Lamp, R	大灯右	假灯		
I-6	306100028	9073012	4251814682876	36V LED Lamp, L	大灯左	36V. LED灯泡		OPTION
	306100029	9075148	4251814688267	False Lamp, L	大灯左	假灯		
I-10	307050004	9073077	4251814664773	Seat	小四轮车架装饰片右	小四轮通用		
I-11	307050008	9073076	4251814664766	Frame Cover, R	小四轮车架装饰片左	小四轮通用		
I-15	307140001	9073075	4251814664698	Reflector	反光片			
I-20	307680052	9079709	4251814647530	Seat, Black	座垫			
I-21	307060027	90730950101	4251814647523	Plastic Body. BLACK	车体	黑色		
I-22	306230001	9071039	4251814664759	Key Igniton Switch Assy.	普通电门锁	两档四线		
I-2	308270002	9075250	4251814660249	Cross self-tapping screw, Flat Head	十字扁头自攻	M4*10		
I-4	308270003	9075241	4251814660157	Cross self-tapping screw, Flat Head	十字扁头自攻	M4*12		
I-7	308270003	9075241	4251814660157	Cross self-tapping screw, Flat Head	十字扁头自攻	M4*12		
I-8	308100001	9075336	4251814664780	Rubber Washer	小胶垫	φ6*φ16*2		
I-9	308170003	9075249	4251814660232	Hex Socket Cap Bolt, Flat Head	内六角大扁头螺丝	M6*16		
I-12	308170003	9075249	4251814660232	Hex Socket Cap Bolt, Flat Head	内六角大扁头螺丝	M6*16		
I-13	308210009	9075247	4251814660218	Flat Washer	平垫	φ6*φ16*1.5		
I-14	308050005	9075228	4251814660027	Lock Nut	防松螺母	M6		
I-16	308100001	9075336	4251814664780	Rubber Washer	小胶垫	φ6*φ16*2		
I-17	308040002	9075246	4251814660201	Antiskid Nut	防滑螺母	M5		
I-18	308170003	9075249	4251814660232	Hex Socket Cap Bolt, Flat Head	内六角大扁头螺丝	M6*16		
I-19	308100001	9075336	4251814664780	Rubber Washer	小胶垫	φ6*φ16*2		

小四轮电动 (电器件) ELECTRONIC PARTS



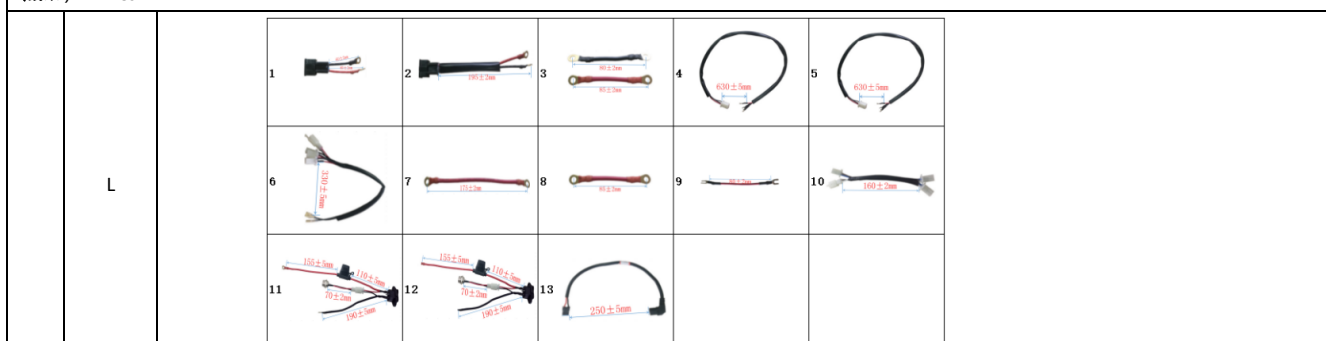
序号	零部件编号 SKU	Menila Art.	EAN Code	英文名称 Spare part name in English	中文名称	规格 Specification	ORDER	Note
J-2	306150001	9071611	4251814664803	Reverse Switch	倒挡开关总成 (含旋钮和螺丝)			
J-4	306060004	9075183	4251814656631	Charging Port Assy, L=240mm	充电口总成 (含线 · 胶盖 · 插件)	车架 · 2.8插簧, 线长L=240mm		
J-7	306360002	9075338	4251814664810	36V Horn (metal)	36V铁喇叭	36V铁喇叭		
J-8	306340012	9070010	4251237171070	36V/1000W Controller	电动小四轮控制器36V/1000W	36V/1000W, 限流26±1A		
J-13	306010001	9071612	4251814664858	Button 3-speed switch	按钮式三档开关			OPTION
	306470001	9071604	4251814658017	Key 3-Speed Switch	钥匙式三档开关			
J-14	307620002	9071613	4251814664865	Rubber cover for Key 3-Speed Switch	钥匙式三档开关护套	借用继电器护套		
J-1	308190004	9075291	4251814663745	Hex Socket Cap Bolt	内六角螺丝	M5*16		
J-3	308050004	9075290	4251814663738	Lock Nut	防松螺母	M5		
J-5	308190007	9075251	4251814660256	Hex Socket Cap Bolt	内六角螺丝	M6*16		
J-6	308210009	9075247	4251814660218	Flat Washer	平垫	φ6*φ16*1.5		
J-8	308050005	9075228	4251814660027	Lock Nut	防松螺母	M6		
J-9	308190004	9075291	4251814663745	Hex Socket Cap Bolt	内六角螺丝	M5*16		
J-11	308210009	9075247	4251814660218	Flat Washer	平垫	φ6*φ16*1.5		
J-12	308050004	9075290	4251814663738	Lock Nut	防松螺母	M5		

(电池) Battery Assy.



序号	零部件编号 SKU	Menila Art.	EAN Code	英文名称 Spare part name in English	中文名称	规格 Specification	ORDER	Note
K-1	307350001	9075340	4251814664872	Battery Box Handle	电池盒手柄	小四轮款		
K-6	307340001	9075341	4251814664889	Battery Box Upper Cover	电池盒上盖	小四轮款		
K-8	307360001	9075342	4251814664896	Battery Box Down Cover	电池盒下盖	小四轮款		
K-7		9078005	4251237150815	Polar Bär AGM Batterie 6-DZM-12				
K-10	307330001	9075377	4251814667248	Battery Box Metal Zipper	电池盒鸭舌扣			
K-2	308230001	9075343	4251814664933	Pin Axle	平头带孔销轴	φ5*30		
K-3	308130001	9075344	4251814664940	Pin	开口销	1.5*10		
K-4	308300001	9075345	4251814664957	Cross self-tapping screw, Button Head	十字半圆自攻	M4*16		
K-5	308270003	9075241	4251814660157	Cross self-tapping screw, Flat Head	十字扁头自攻	M4*12		
K-9	308240001	9075346	4251814664964	Cross self-tapping screw, Flat Head	去尖自攻螺丝	M4*6		

(线束) WIRINGS



序号	零部件编号 SKU	Menila Art.	EAN Code	英文名称 Spare part name in English	中文名称	规格 Specification	ORDER	Note
L-1	306350001	9075385	4251814667361	Controller Extended Wiring EQ1	控制器输出延长线	EQ1, L=60±2mm, 高温线 A050		
L-2	306220002	9071615	4251814664988	Motor Extended Wiring EQ2	电机延长线	EQ2, L=195±2mm		
L-3	306160001	9078013	4251814665730	Reverse Convert Wiring EQ3Z	倒档开关线, 套装 (两根为1套)	EQ3Z, 红线L=85mm, 黑线L=80mm 小四轮		
L-4	306480001	9071616	4251814664995	Key 3-Speed Switch Wiring EQ4	钥匙式三档开关连接线	EQ4, L=630±5mm		

L-5	306020001	9071617	4251814665008	Button 3-Speed Switch Wiring EQ4-1	按钮式三档开关连接线	EQ4-1, L=630±5mm		OPTION
L-6	306390001	9071618	4251814665015	Horn Wiring EQ5	喇叭组合线	EQ5, L=330±5mm A050		
L-7	306520004	9071619	4251814665022	Battery Wiring EQ8X	电池连接线	EQ8X, L=175mm		
L-8	306520001	9071620	4251814665039	Battery Wiring EA10X	电池连接线	EA10X, L=85mm		
L-9	306460001	9071623	4251814665060	Key 3-Speed Switch Branching Wiring EQ10X	钥匙三档开关连接小线	EQ10X, L=80±2mm		
L-10	306120001	9071624	4251814665077	Lamp Wiring EQ11X	电动小四轮大灯连接线	EQ11X, L=160±2mm		
L-11	306030006	9071625	4251814665084	Fuse/charge port/power socket wirings EQ6G, FOR LEAD ACID BATTERY	电动小四轮保险盒线	EQ6G, 电池盒款·36V铅酸使用·含充电口, φ5端子, 黑线L=190±5mm, 红线L=310±5mm		
L-13	306210003	9071627	4251814665107	Power supply wiring EQ7G	电池盒电源连接线	EQ7G, L=250mm		

(其他部件) OTHERS

	M							
--	---	--	--	--	--	--	--	--

序号	零部件编号 SKU	Menila Art.	EAN Code	英文名称 Spare part name in English	中文名称	规格 Specification	ORDER	Note
M-1	306040002	9076050	4251814661826	Fuse 30A for 800W36V	保险片	30A		
	306040001	9078024	4251814658116	Fuse 25A for 500W36V	保险片	25A		OPTION
M-2	307620001	9076052	4251814661840	Wiring Rubber Sleeve	线束护套	φ70*110mm		
M-3	306440005	9075401	4251814669204	Remote Controller	遥控器	36V/48V通用, 启动/熄火带报警		OPTION
M-4	306090010	9070051	4251684908342	Lead Acid Battery Charger 36V1.5A	36V铅酸充电器	36V/1.5A, 欧标·利双		
M-5	307700001	9073914	4251814647509	Gear Sticker	倒档标贴专用	三角形, 带孔		
M-6	307130001	9075348	4251814665152	3-Speed Sticker	调速指示标识	数字型 (1 0 2)		
M-7	306050002	9075190	4251814656808	3 Hole Plug Without Hook	插件	2.8三孔不带钩		

N	1							
---	---	--	--	--	--	--	--	--

序号	零部件编号 SKU	Menila Art.	EAN Code	英文名称 Spare part name in English	中文名称	规格 Specification	ORDER	Note
N-1	303040022	9076044	4251814657232	Chain Connector	25H型链条扣	高速25H链条扣		
N-2	307600003	90739130505	4251814647493	Sticker set orange	贴花桔色	客户要求选配		
N-2	307600003	90739130303	4251846134183	Sticker set red	贴花红色			
N-2	307600003	90739130404	4251846134190	Sticker set green	贴花绿色			
N-2	307600003	90739130202	4251846134206	Sticker set blue	贴花蓝色			
N-2	307600003	90739130101	4251846134213	Sticker set black	贴花黑色			
N-3	305390003	9071012	4251814683774	Brake Pad (2pcs/set)	银华正反碟刹器摩擦片	套装 (两片为1套)		
N-4	305390007	9071010	4251814682562	Rear Brake Pad (2pcs/set)	机械刹车-9摩擦片 (拓蓝), 套装 (2只为一套)	小四轮后碟刹器通用		
N-5	301020007	9072010	4251814665114	Motor Sprocket 25H-9T	电机小齿	电机小齿·25H-9齿		

ALTERNATIVE PARTS FOR WITH LITHIUM BATTERY

序号	零部件编号 SKU	Menila Art.	Menail EAN code	英文名称 Spare part name in English	中文名称	规格 Specification	ORDER	Note
A-11	306500011	9072623	4255675411026	Throttle Assy with 36V Electricity Meter (Lithium)	电动小四轮转把	小四轮款·36V锂电电量表·无开关		
	306500012	9072624	4255675411033	Throttle Assy with 36V Electricity Meter (Lithium) and ON/OFF kill switch	电动小四轮转把	小四轮款·36V锂电电量表·熄火开关		
	306500010	9072625	4255675411040	Throttle Assy with 36V Electricity Meter (Lithium) and lamp switch	A050, 电动小四轮转把	小四轮款·36V锂电电量表·大灯开关		
K-7	306200003	9078004	4251814686584	Lithium Battery 36V10.4AH, including the battery box	锂电池	锂电池36V/10.4AH (3C放电)·小四轮电池盒装		1161049
K-7	306200004	9078039	4251814664926	Lithium Battery 36V13AH, including the battery box	锂电池	锂电池36V/13AH (3C放电)·小四轮电池盒装		
L-12	306030007	9071626	4251814665091	Fuse/charge port/power socket wirings EQ6G-1, FOR LITHIUM BATTERY	A050, 电动小四轮保险盒线	EQ6G-1, 电池盒款·36V锂电使用·含充电口·无端子, 黑线L=190±5mm, 红线L=310±5mm		
M-4	306090014	9070052	4251684908359	Lithium Battery Charge 36V	36V锂电充电器	36V/1.8A, 欧标·利双		



www.nitromotors.de

Copyright © 2025 Nitromotors | All rights reserved. "Nitromotors" is a registered trademark of Menila Import. Druckfehler und Irrtümer vorbehalten. Menila Import | Hafenbahnstr. 5 | 45881 Gelsenkirchen | E-Mail: parts@menilagroup.de