

1150112 50cc mini Buggy

ART-NR. 1150112

50CC BUGGY

MINI BUGGY



www.nitromotors.de

ERSATZTEILLISTE | SPARE PARTS LIST

VERS. 1.0 | 12.08.2025

01 Frame



Photo	Spare parts No./配件编号	Menila Art.	EAN Code	Chinese name/配件名称	English spare parts name	Specification	Qty	Note
1	GK-007-0001	904903601	4251846166733	主车架	Main frame green		1	
1	GK-007-0001	904903602	4251846166740	主车架	Main frame blue		1	
1	GK-007-0001	904903603	4251846166757	主车架	Main frame red		1	
1	GK-007-0001	904903604	4251846166764	主车架	Main frame black		1	
2	GK-007-0002	9040240	4251846167266	转向轴衬套	Steering shaft bushing	Ø24XØ18X17	1	same as 1150110
3	GK-007-0003	904903701	4251846166771	棚架侧管	Side pipe of shed frame green		2	
3	GK-007-0003	904903702	4251846166788	棚架侧管	Side pipe of shed frame blue		2	
3	GK-007-0003	904903703	4251846166795	棚架侧管	Side pipe of shed frame red		2	
3	GK-007-0003	904903704	4251846166801	棚架侧管	Side pipe of shed frame black		2	
4	GK-007-0004	904903801	4251846166818	前横管	Front transverse pipe green		1	
4	GK-007-0004	904903802	4251846166825	前横管	Front transverse pipe blue		1	
4	GK-007-0004	904903803	4251846166832	前横管	Front transverse pipe red		1	
4	GK-007-0004	904903804	4251846166849	前横管	Front transverse pipe black		1	
5	GK-007-0005	904903901	4251846166856	后横管	Rear transverse tube green		1	
5	GK-007-0005	904903902	4251846166863	后横管	Rear transverse tube blue		1	
5	GK-007-0005	904903903	4251846166870	后横管	Rear transverse tube red		1	
5	GK-007-0005	904903904	4251846166887	后横管	Rear transverse tube black		1	
6	GK-007-0006	9040212	4251846166498	后尾架缓冲套	Rear frame buffer sleeve	Φ12.5×Φ39×36	2	
7		9040213	4251846166504	六角法兰螺栓	Hexagon flange bolts	M12×1.25×65	2	
8		9040091	4251846162964	尼龙防松螺母	Nylon lock nut	M12×1.25	2	
9	GK-007-0007	904904001	4251846166894	后尾架	Rear frame green		1	
9	GK-007-0007	904904002	4251846166900	后尾架	Rear frame blue		1	
9	GK-007-0007	904904003	4251846166917	后尾架	Rear frame red		1	
9	GK-007-0007	904904004	4251846166924	后尾架	Rear frame black		1	
10	GK-007-0008	9040152	4251846165026	管接头塑料套	Plastic sleeve	内径为Φ22	6	same as 1150110
11	GK-007-0009	9040215	4251846166528	管接头塑料套	Plastic sleeve	内径为Φ25	2	same as 1150110
12		9040151	4251846165019	内六角螺栓	Hexagon socket bolt	M8×45	8	

13	GK-007-0010	9040153	4251846165033	塑料圆垫块	Plastic cushion block	圆弧半径为R12.5	8	same as 1150110
14		9041522	4251846163916	尼龙防松螺母	Nylon lock nut	M8	4	
15		9040214	4251846166511	六角法兰螺栓	Hexagon flange bolts	M8×30	2	
16		9040154	4251846165040	六角法兰螺栓	Hexagon flange bolts	M8×35	2	
17	GK-007-0011	904904101	4251846166931	棚架主管	Main shed frame green			左右各一
17	GK-007-0011	904904102	4251846166948	棚架主管	Main shed frame blue			左右各一
17	GK-007-0011	904904103	4251846166955	棚架主管	Main shed frame red			左右各一
17	GK-007-0011	904904104	4251846166962	棚架主管	Main shed frame black			左右各一
18	GK-007-0012	9040216	4251846166535	电池压板	Battery pressure plate		1	
19		9041528	4251846163978	六角法兰螺栓	Hexagon flange bolts	M6×30	2	
20		9040082	4251814678220	尼龙防松螺母	Nylon lock nut	M6	2	
		904800201	4251846148142		Sticker blue		1	
		904800202	4251846148159		Sticker green		1	
		904800203	4251846148166		Sticker red		1	
		904800204	4251846148173		sticker orange		1	

02 Steering

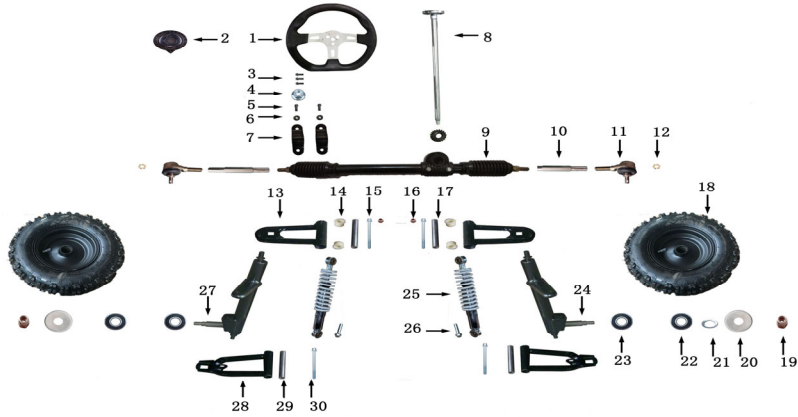


Photo	Spare parts No./配件编号	Menila Art	EAN Code	Chinese name/配件名称	English spare parts name	Specification	Qty	Note
1	GK-007-0013	9040242	4251846167280	方向盘	Steering wheel		1	same as 1150110
2	GK-007-0014	9040217	4251846166542	方向盘盖	Steering wheel cover	塑料	1	same as 1150110
3		9041546	4251846164227	六角法兰螺栓	Hexagon flange bolts	M6×12	3	
4		9040218	4251846166559	六角自锁螺母	Hexagon self-locking nut	M10×1.25	1	
5		9040219	4251846166979	六角法兰螺栓	Hexagon flange bolts	M6×25	4	
6		9040082	4251814678220	尼龙防松螺母	Nylon lock nut	M6	4	
7	GK-007-0015	9040243	4251846167297	方向机抱箍	Steering wheel hoop		2	same as 1150110
8	GK-007-0016	9040244	4251846167303	转向轴	Steering shaft		1	same as 1150110
9	GK-007-0017	9049043	4251846147343	方向机	Steering rack		1	same as 1150110
10	GK-007-0018	9040220	4251846166986	方向机拉杆	Steering gear pull rod		2	same as 1150110
11	GK-007-0019	9040221	4251846166993	方向机球头	Steering rod ball joint		2	same as 1150110
12		9040222	4251846167006	开槽螺母	Slotted nut	M8	2	
13	GK-007-0020	9049044	4251846147350	上摇臂	Upper rocker arm		2	same as 1150110
14	GK-007-0021	9040223	4251846167013	尼龙衬套	Nylon bushing	∅16X∅12X12	8	same as 1150110
15		9040224	4251846167020	六角法兰螺栓	Hexagon flange bolts		2	
16		9041522	4251846163916	尼龙防松螺母	Nylon lock nut	M8	8	
17	GK-007-0022	9040181	4251846165446	上摇臂衬管	Upper rocker arm liner tube	∅12X∅8X76	2	same as 1150110
18	GK-007-0023	9045008	4251846147374	前轮含轮毂带铁片	Front tire with rim and iron sheet	带轴轮毂、蝴蝶花纹4.1-6	2	same as 1150110
		9045006	4251814687093	前轮带铁片	front rim with iron sheet		2	same as 1150110
		912002902	4251846165996	前轮胎4.10-6	Front Tyre 4.10-6		2	same as 1150110
	GK-007-0053	904157701	4251846152804	前轮毂塑料色圈	Front Rim plastic cover red		2	same as 1150110
	GK-007-0053	904157702	4251846152811	前轮毂塑料色圈	Front Rim plastic cover green		2	same as 1150110
	GK-007-0053	904157703	4251846152828	前轮毂塑料色圈	Front Rim plastic cover blue		2	same as 1150110
19		9040103	4251846163169	尼龙防松螺母	Nylon lock nut	M10×1.25	6	
20		9040225	4251846167037	平垫	Flat gasket	∅14×∅40×2.5	2	
21		9040123	4251846163442	弹垫	Spring washer	∅10	2	
22	GK-007-0024	9044309	4251846165507	轴承	Bearing	6201	2	same as 1150110
23	GK-007-0025	9044308	4251846165491	轴承	Bearing	6202	2	same as 1150110
24	GK-007-0026	9049045	4251846147367	左转向臂	Left steering arm		1	same as 1150110
25	GK-007-0027	9042008	4251846147381	前减震器	Front shock absorber	220mm	2	same as 1150110
26		9040154	4251846165040	六角法兰螺栓	Hexagon flange bolts	M8×35	4	
27	GK-007-0028	9049048	4251846147411	右转向臂	Right steering arm		1	same as 1150110
28	GK-007-0029	9049046	4251846147398	下摇臂	Lower rocker arm		2	same as 1150110
29	GK-007-0030	9049047	4251846147404	下摇臂衬管	Lower rocker arm liner tube	∅12X∅8X86	2	same as 1150110
30		9040226	4251846167129	六角法兰螺栓	Hexagon flange bolts	M8×105	2	

03 Rear axle

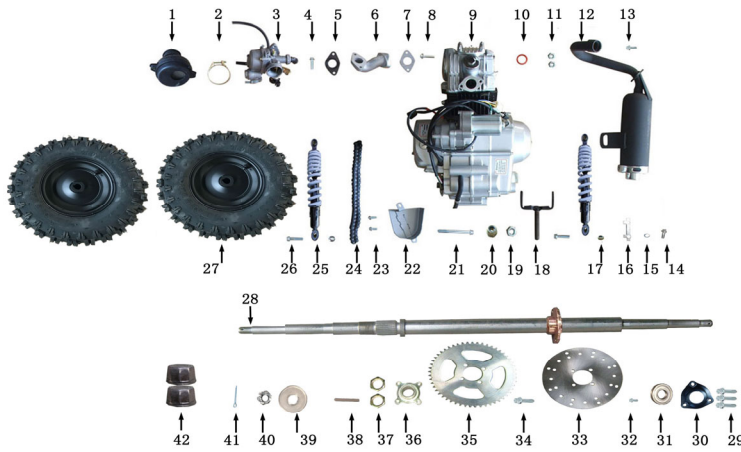


Photo	Spare parts No./配件编号	Menila Art	EAN Code	Chinese name/配件名称	English spare parts name	Specification	Qty	Note
1	GK-007-0031	9046402	4251846166313	空滤器	Air filter	黑色塑料、圆柱形Φ35	1	
2	GK-007-0032	9040206	4251846166320	卡箍	Clamp	Φ35	1	
3	GK-007-0033	9041303	4251846166337	化油器	Carburetor	PZ14、手扳风门	1	
4		9041536	4251846164050	六角法兰螺栓	Hexagon flange bolts	M6×20	3	
5	GK-007-0034	9041304	4251846166344	化油器隔热垫	Carburetor insulation gasket		1	
6	GK-007-0035	9040207	4251846166351	进气管	Intake pipe	67	1	
7	GK-007-0036	9040208	4251846166368	进气管纸垫	Intake pipe gasket		1	
8		9040219	4251846166979	六角螺栓	Hexagon bolt	M6×25	2	
9	GK-007-0037	9041005	4251846166375	发动机	Engine	50cc无级变速、单缸、四冲程、上置式起动机	1	
10	GK-007-0038	9040227	4251846167136	排气管垫圈	Exhaust pipe gasket		1	
11		9040228	4251846167143	自锁螺母	Self locking nut	M6	2	
12	GK-007-0039	9047602	4251846166382	排气管及消声器	Exhaust pipe and muffler	铁	1	
13		9040129	4251846163503	六角法兰螺栓	Hexagon flange bolts	M8×16	1	
14		9041534	4251846164036	六角螺栓	Hexagon bolt	M8×20	4	
15		9040125	4251846163466	弹垫	Spring washer	Φ8	4	
16	GK-007-0040	9040229	4251846167150	止退垫片	Stop washer		2	
17		9041522	4251846163916	尼龙防松螺母	Nylon lock nut	M8	15	
18	GK-007-0041	9040230	4251846167167	发动机调节杆	Engine adjusting lever		1	
19		9040231	4251846167174	六角螺母	Hexagon nut	M14×2.0	1	
20		9040232	4251846167181	尼龙防松螺母	Nylon lock nut	M14×2.0	1	
21		9040226	4251846167129	六角法兰螺栓	Hexagon flange bolts	M8×105	1	
22	GK-007-0042	9043802	4251846166399	链罩	Chain cover		1	
23		9041546	4251846164227	六角法兰螺栓	Hexagon flange bolts	M6×12	2	
24	GK-007-0043	9043607	4251846166405	链条	Chain	420-50节	1	
25	GK-007-0044	9042007	4251846166412	后减振器	Rear shock absorber	265mm	2	same as 1150110
26		9040154	4251846165040	六角法兰螺栓	Hexagon flange bolts	M8×35	4	
27	GK-007-0045	9045009	4251846147459	后轮含轮毂带铁片	rear tire with rim and iron sheet		2	same as 1150110
		9045010	4251846147817	后轮轮毂带铁片	rear rim with iron sheet		2	same as 1150110
		912002602	4251846166009	后轮胎胎13*5.00-6	Rear tyre 13*5.00-6		2	same as 1150110
		904157801	4251846152835	后轮毂塑料色圈	rear Rim plastic cover red		2	same as 1150110
		904157802	4251846152842	后轮毂塑料色圈	rear Rim plastic cover green		2	same as 1150110
		904157803	4251846152859	后轮毂塑料色圈	rear Rim plastic cover blue		2	same as 1150110
28	GK-007-0046	9049603	4251846166429	后轴	Rear axle		1	
29		9041534	4251846164036	六角法兰螺栓	Hexagon flange bolts	M8×20	6	
30	GK-007-0047	9040209	4251846166436	轴承压板	Bearing pressure plate		2	
31	GK-007-0048	9044307	4251846165194	轴承	Bearing	6204	2	same as 1150110
32		9041546	4251846164227	六角法兰螺栓	Hexagon flange bolts	M6×12	4	
33	GK-007-0049	9043008	4251846147466	后碟刹盘	Rear brake disc		1	same as 1150110
34		9040234	4251846167204	六角法兰螺栓	Hexagon flange bolts	M8×25	4	
35	GK-007-0050	9045508	4251846166443	被动链轮	Driven sprocket	420、37齿	1	
36	GK-007-0051	9040210	4251846166450	链轮法兰	Sprocket flange		1	
37		9040233	4251846167198	普通六角螺母	Hexagon nut	M27×1.5	2	
38	GK-007-0052	9040245	4251846147312	方键	Square key		2	same as 1150110
39		9040225	4251846167037	平垫	Flat gasket	Φ14×Φ40×2.5	2	
40		9040188	4251846165552	开槽螺母	Slotted nut	M14×1.5	2	
41		9040128	4251846163497	开口销	Cotter pin	2.5×25	2	

04 Manipulation

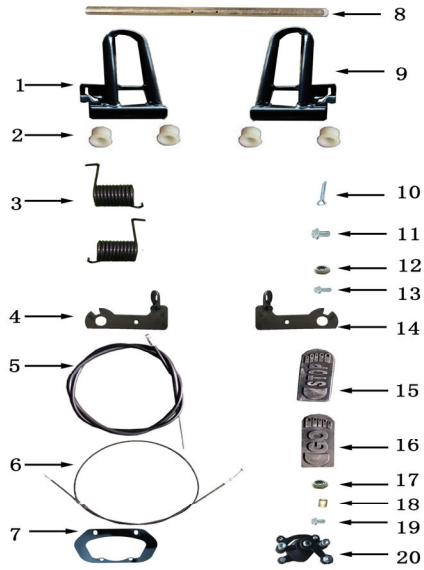


Photo	Spare parts No./配件编号	Menila Art	EAN Code	Chinese name/配件名称	English spare parts name	Specification	Qty	Note
1	GK-007-0054	9040073	4251814678121	刹车踏板	Brake pedal plate		1	same as 11510110
2	GK-007-0055	9040223	4251846167013	尼龙衬套	Nylon bushing	Ø16XØ12X12	4	same as 11510110
3	GK-007-0056	9040235	4251846167211	刹车油门踏板扭簧	Torsion spring		leftx1, rightx1	same as 11510110
4	GK-007-0057	9040236	4251846167228	刹车线固定板	Brake cable fixing plate		1	same as 11510110
5	GK-007-0058	9045125	4251846166467	刹车线	Brake cable		1	
6	GK-007-0059	9045126	4251846166474	油门线	Throttle cable		1	
7	GK-007-0060	9040237	4251846167235	碟刹器连接板	Connecting plate of disc brake		1	
8	GK-007-0061	9049042	4251846167044	油门刹车轴	Accelerator brake shaft		1	same as 11510110
9	GK-007-0062	9040071	4251814678107	油门踏板	Accelerator pedal		2	same as 11510110
10		9040128	4251846163497	开口销	Cotter pin	2.5×25	2	
11		9040129	4251846163503	六角法兰螺栓	Hexagon flange bolts	M8×16	1	
12		9040238	4251846167242	尼龙防松螺母	Nylon lock nut	M5	2	
13		9040239	4251846167259	内六角螺栓	Hexagon socket bolt	M5×16	2	
14	GK-007-0063	9040211	4251846166481	油门线固定板	Throttle cable fixing plate		1	
15	GK-007-0064	9040074	4251814678138	刹车踏垫	Brake pedal		1	same as 11510110
16	GK-007-0065	9040072	4251814678114	油门踏垫	Accelerator pedal		1	same as 11510110
17		9040082	4251814678220	尼龙防松螺母	Nylon lock nut	M6	2	
18	GK-007-0066	9040241	4251846167273	隔套	Bushing	Ø10XØ8X5	2	
19		9040168	4251846165231	六角法兰螺栓	Hexagon flange bolts	M6×16	4	
20	GK-007-0067	9043007	4251846166566	机械碟刹器	Mechanical disc brake		1	

05 Electrical accessories



Photo	Spare parts No./配件编号	Menila Art	EAN Code	Chinese name/配件名称	English spare parts name	Specification	Qty	Note
1	GK-007-0068	9047306	4251846147473	大灯	Headlight	普通灯泡12V	4	same as 1150110
2		9040246	4251846147329	六角法兰螺栓	Hexagon flange bolts	M6x40	4	
3	GK-007-0069	9041507	4251814642092	控制面板罩	Control panel cover	塑料	1	same as 1150110
4		9040195	4251846165842	自攻螺钉	Self tapping screw	ST4.2x16	7	
5	GK-007-0070	9041565	4251846167051	三角头罩	Triangular cover	塑料	1	same as 1150110
6	GK-007-0071	9046005	4251846166573	油箱	Fuel tank	铁、容积为3L	1	
7	GK-007-0072	9046006	4251846166580	油箱盖	Fuel tank cover		4	
8	GK-007-0073	9045127	4251846166597	燃油开关	Fuel switch		1	
9	GK-007-0074	9040247	4251846147336	过滤器	Fuel filter		1	
10	GK-007-0075	9041525	4251846163947	卡箍	Clamp	Φ10	4	
11	GK-007-0076	9040248	4251846147480	输油管	Fuel pipe	内径Φ8、外径Φ10、长140	2	
12	GK-007-0077	9040249	4251846147497	隔套	Bushing	Ø12XØ8X15	4	
13		9041528	4251846163978	六角法兰螺栓	Hexagon flange bolts	M6x30	4	
14		9040082	4251814678220	尼龙防松螺母	Nylon lock nut	M6	11	
15		9040250	4251846147503	六角法兰螺栓	Hexagon flange bolts	M6x16	1	
16	GK-007-0078	9045128	4251846166603	点火器	Igniter		1	
17	GK-007-0079	9047002	4251814686973	电门锁	Switch key		1	same as 1150110
18	GK-007-0080	9040251	4251846147510	反光片	Reflector	长条形、红色	1	same as 1150110
19		9041522	4251846163916	尼龙防松螺母	Nylon lock nut	M8	2	
20	GK-007-0081	9040252	4251846147527	后视镜	Rearview mirror		1付	same as 1150110
21	GK-007-0082	9045132	4251846166641	附电缆	Auxiliary cable	顶灯连接线	1	
22	GK-007-0083	9045129	4251846166610	主电缆	Main cable		1	
23	GK-007-0084	9045130	4251846166627	高压包	Ignition coil		1	
24	GK-007-0085	9045131	4251846166634	继电器	Electric relay		1	
25	GK-007-0086	9040253	4251846147534	整流器	Rectifier		1	
26	GK-007-0087	9040254	4251846147541	海绵护套	Sponge cover Φ26xΦ36x850mm		2	
27	GK-007-0088	9040273	4251846147893	海绵护套	Sponge cover Φ23xΦ35x720mm		2	
28	GK-007-0089	9040255	4251846147558	大灯开关	Headlight switch		1	same as 1150110
29	GK-007-0090	9040256	4251846147565	启动开关	Start switch	圆形、绿色	1	same as 1150110
30	GK-007-0091	9040257	4251846147572	熄火开关	Stop switch	圆形、红色	1	same as 1150110
31	GK-007-0092	9047501	4251846164470	蓄电池	Storage battery	干电池12V、6.5Ah	1	
32		9040129	4251846163503	六角法兰螺栓	Hexagon flange bolts	M8x16	4	
33	GK-007-0093	9040258	4251846147589	安全带	Safety belt		1	same as 1150110
34	GK-007-0094	904400301	4251814648001	座椅	Seat red		1	same as 1150110
		904400302	4251846197706	座椅	Seat black		1	same as 1150110
35	GK-007-0095	9040259	4251846147596	橡胶塞	Rubber stopper	Φ16	1	



www.nitromotors.de

Copyright © 2025 Nitromotors | All rights reserved. "Nitromotors" is a registered trademark of Menila Import.
 Druckfehler und Irrtümer vorbehalten. Menila Import | Hafenbahnstr. 5 | 45881 Gelsenkirchen | E-Mail: parts@menilagroup.de