

ART-NR. 1122044

125CC RIZZO

MIDI QUAD



www.nitromotors.de

ERSATZTEILLISTE | SPARE PARTS LIST

VERS. 1.0 | 31.07.2025

Plastic Cover

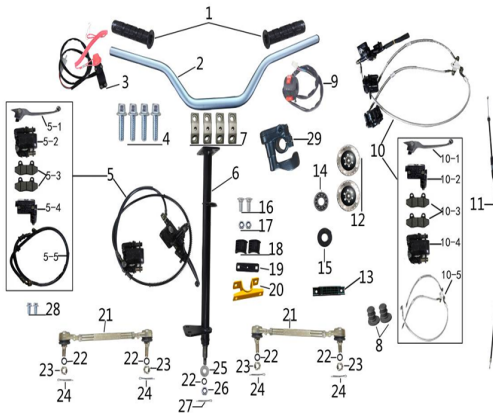


III 16 II 17
 III 15 000 18 000 20
 000 14 000 19 III 21 000 22
 III 13 000 12 III 11 III 10 II 9

NR	ERP No.	Menila	New Art.	EAN Code	SPEC	规格	Stk	Order	Note
1	606251		9021779	4251814661314	Bumper - Front		1		
2	606249		9021780	4251814661321	Front Decoration board		1		
3	606253		9021781	4251814661338	Speedometer Cover		1		
4	606248		9021782	4251814661345	Front Face board		1		
5	606246		9021783	4251814661352	Plastic Front Body		1		
6	606250		9021784	4251814661369	Left and Right Footrest		1		
7	606247		9021785	4251814661376	Plastic Rear Body		1		
8	604749		9021770303	4251814660874	Decoration Rim Hub Cover red	PP专用 8inch-1122048	4		
8	604749		9021770404	4255675415109	Decoration Rim Hub Cover green	PP专用 8inch-1122048	4		
8	604749		9021770202	4255675415116	Decoration Rim Hub Cover blue	PP专用 8inch-1122048	4		
8			90235020303	4255675415123	Decoration Rim Hub Cover red	PP专用 7inch-1122047	4		
8			90235020404	4255675415130	Decoration Rim Hub Cover green	PP专用 7inch-1122047	4		
8			90235020202	4255675415345	Decoration Rim Hub Cover blue	PP专用 7inch-1122047	4		
9	105131		9020166	4251814685235	Hex Flange Bolt; M6x12	M6x12	2		
10	105382		9028969	4251814658406	Cross Self Tapping Screw; ST4.8x12	ST4.8x12	4		
11	105873		9028906	4251814684443	Self Tapping Clip; M4.2	M4.2	6		
12	105455		9028963	4251814658215	Flat Washer; φ6×φ22×1.5	φ6×φ22×1.5	8		
13	113219		9028961	4251814658192	Double lock Hex Socket Bolt; φ8×M6×20	φ8×M6×20	8		
14	105450		9029813	4251814684511	Flat Washer; φ6x16x1.5	φ6	18		
15	110887		9029814	4251814684528	Large flat head hex socket bolts; M6x16	M6x16	15		
16	113217		9029816	4251814684542	Large flat head hex socket bolts; M6x12	M6x12	26		
17	104787		9029815	4251814684535	Cross Large Flat Head bolt; M6x16	M6x16	2		
18	105466		9028962	4251814658208	Flat Washer; φ8×φ20×1.5	φ8×φ20×1.5	18		
19	101701		9029810	4251814684481	Flat Washer; φ16×φ6.3×1.5	φ6	22		
20	112957		9021543	4251814684269	Seat Shock Absorption Rubber Parts ATA125-K	通用小捷豹	2		
21	601797		9029809	4251814684474	Cross Self Tapping Screw; ST4.2x12	ST4.2x12	16		
22	112956		9021760	4251814659533	Pedals Shockproof Rubber Parts	通用小捷豹	8		
23	605524		9021786	4251814661383	Handguard		1		
24	606255		9024006	4251814661390	Seat		1		
25	602452		9021765	4251814659595	Rear Rack Tray	通用小捷豹	1		
			90299070303	4251846160977	sticker set red		1		
			90299070404	4251846160984	sticker set green		1		
			90299070202	4251846160991	sticker set blue		1		
			90299080303	4251846162834	sticker set red		1		
			90299080404	4251846162841	sticker set green		1		
			90299080202	4251846162858	sticker set blue		1		

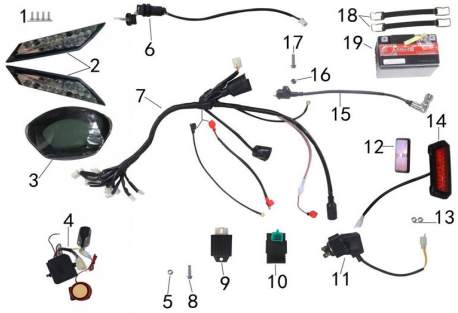
Turning System

NR	ERP No.	Menila	New Art.	EAN Code	SPEC	规格	Stk	Order	Note
1	112951		9026007	4251814658413	Hand Grip Set ATA 110 C	同小捷豹	1		
2	606244		9020315	4251814661406	Handle Bar(Variable diameter pipe Aluminum	专用	1		
3	109514		9027009	4251814658437	Tether Switches ATA110-B	同小50	1		
4	105231		9020288	4251814659687	Hex Flange Bolt; M8x50	M8x50	4		
5	116306		9024508	4251814659694	Rear Disk Brake Assembly		1		
5-1	117229		9024510	4251814659717	Brake Level Only- Left ATA125-K		1		
5-2	117227		9024509	4251814659700	Down,Rear Disk Brake Caliper ATA125-K	不分左右	1		
5-3	117228		9023043	4251814691434	Rear Disk Brake Pad		1		
5-4	606281		9023055	4251814661413	Upper,Rear Disk Brake Caliper ATA125-K		1		
5-5	117230		9024511	4251814659724	Rear Disk Brake Line		1		
6	606257		9028995	4251814661420	Triple Tree	专用	1		
7	606700		9028996	4251814661437	Handle Bar Clamp	专用	1		
8	115426		9021560	4251814685150	steering shaft dust blocks ATA125-K		2		



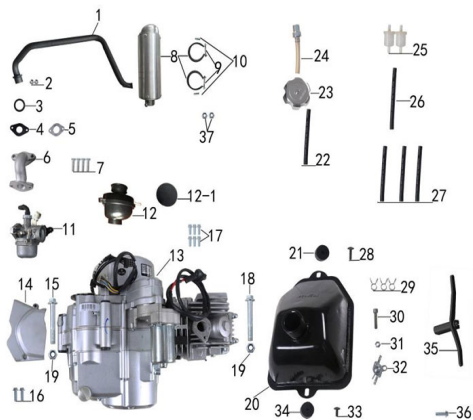
9	116309	9027007	4251814685334	Left Handle Bar Switch ATA125-K	同小50	1		
10	100737	9023045	4251814691458	Front Disk Brake Assembly	一拖二	1		
10-1	606355	9023052	4251814660966	Brake Level Only- Left ATA125-K		1		
10-2	606356	9023056	4251814661444	Upper, front Disk Brake Caliper ATA125-K		1		
10-3	606357	9023044	4251814691441	front Disk Brake Pad		1		
10-4	606358	9023053	4251814660973	Down, front Disk Brake Caliper ATA125-K L		1		
10-4	606358	9023163	4255675416595	Down, front Disk Brake Caliper ATA125-K R		1		
10-5	606359	9023054	4251814660980	Front Disk Brake Line		1		
11	102527	9026009	4251814659748	Throttle Cable; 750mmx84mm (29.5in x 3.3in)	通用小公牛	1		
12	606280	9023057	4251814661451	Disk brake	φ110	2		
13	605519	9026013	4251814660935	Wire Clamp		1		
14	111476	9024308	4251814685181	Needle Roller Bearing; 2202	2202	1		
15	111485	9020164	4251814685174	Oil Seal; 17x35x7	17x35x7	1		
16	105363	9020316	4251814661468	Coach screw; M8*20	M8*20 鍍白鋅	2		
17	105276	9028946	4251814685211	Locknut; M8	M8	6		
18	112478	9020165	4251814685228	Steering Shaft Clamp		2		
19	112537	9020252	4251814658574	Triple Tree Install Rubber mat		1		
20	605451	9020308	4251814660942	Steering Shaft Fixed Seat		1		
21	101529	9020289	4251814659779	Tie Rod Assembly; 220mm	220mm	1		
22	104867	9020168	4251814685259	Spring Washer	M10 发黑	5		
23	105321	9028947	4251814685266	Castle Nut; M10x1.5	M10x1.5	4		
24	105338	9028948	4251814685273	Cotter Pin; φ2.5x30	φ2.5x30	4		
25	105393	9028949	4251814685280	Flat Washer; φ20xφ10x1.5	φ10xφ20x1.5	1		
26	105256	9028950	4251814685297	Locknut; M10x1.5	M10x1.5	1		
27	109643	9028951	4251814685303	Cotter Pin; φ3x25	φ3x25	1		
28	105194	9029822	4251814684641	Hex Flange Bolt; M8x16	M8x16	2		
29	101674	9023027	4251814685075	Accelerator		1		

Electrical device system



NR	ERP No.	Menila New Art.	EAN Code	SPEC	规格	Stk	Order	Note
1	111151	9020196	4251814685785	Pen Head Self-tapping Screw; S3.8x12	S3.8x12	6		
2	606245	9027628	4251814661475	Headlight Assembly		1		
3	606254	9027629	4251814661482	Gear Indicator ATA200-D		1		
4	100394	9020258	4251814658680	Remote Control / Alarm	同125小公牛 带喇叭	1		
5	105272	9028953	4251814685433	Locknut; M6	M6	1		
6	100699	9020194	4251814685754	Ignition Key Switch For 110cc Utility ATVs; 4 Wire Male Plug	带螺纹 (同135D)	1		
7	606243	9020317	4251814661499	Wire Harness	专用	1		
8	105140	9028955	4251814685693	Hex Flange Bolt; M6x16	M6x20	1		
9	100733	9021811	4251814659854	Regulator	全波	1		
10	100667	9021812	4251814659861	CDI ATA125-D; 5 Pin	同小公牛	1		
11	101384	9021803	4251814685556	Starter Relay / Solenoid for Air	同小50	1		
12	100907	9020259	4251814658727	Reflector; Rectangle; Red for E1-350 and more	长方红	1		
13	105272	9028953	4251814685433	Locknut; M6	M6	2		
14	112844	9027621	4251814658710	Tail Lights Assembly	通用小捷豹	1		
15	101008	9021810	4251814658734	Ignition Coil	同小50	1		
16	105272	9028953	4251814685433	Locknut; M6	M6	1		
17	105140	9028955	4251814685693	Hex Flange Bolt; M6x16	M6x20	1		
18	100681	9021575	4251814658345	Battery Strap; L:200mm	同小公牛	2		
19		9018002	4251237150778	Polar Bar AGM Batterie YTSL-BS	12V5AH	1		

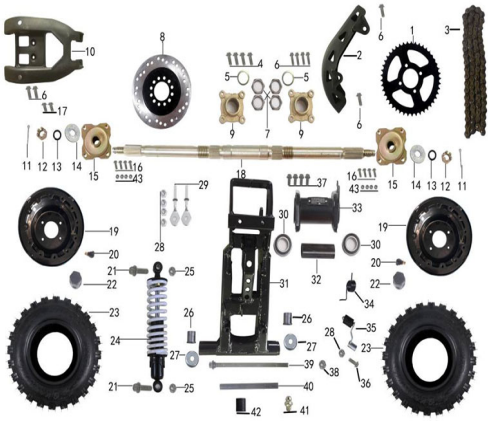
Power System



NR	ERP No.	Menila New Art.	EAN Code	SPEC	规格	Stk	Order	Note
1	111561	9027912	4251814661031	Front Exhaust Pipe	专用	1		
2	105885	9021306	4251814661505	Self-locking nut; M6	M6	2		
3	102419	9027916	4251814658772	Muffler Gasket; OD: 31.5mm ID: 23.5mm	同小50	1		
4	606291	9027917	4251814659885	Intake Manifold Rubber Pad	通用	1		
5	111640	9028978	4251814661512	Intake Manifold Gasket		1		
6	117337	9027913	4251814661529	Intake Manifold	进气管 43-3# 猛禽款	1		
7	105712	9028980	4251814658802	Hex Nut; M8x20	M8x20	4		
8	112308	9020312	4251814659878	Aluminum Exhaust Pipe	含2个抱箍	1		
9	105230	9021303	4251814658826	Hex Flange Bolt; M8x35	M8x45	2		
10	115633	9028506	4251814661048	Spacer		2		
11	101342	9021008	4251814678350	Electric Choke Carburetor ; P222	P222	1		
12	115427	9021009	4251814659908	Air Filter	带卡扣 (同135D)	1		
13	604264	9021038	4251814659915	125cc(1+1) Engine		1		
13		9021037	4251814661536	120cc (3+1) Engine		1		
13		9021145	4251846162803	150cc (1+1) Engine		1		
13		9020292	4251846162797	150cc(3+1) Engine		1		
14	110975	9028978	4251814658857	Engine Sprocket Covers	110通用	1		
15	116864	9029822	4251814659922	Hex Flange Bolt; M8x110	M8x110	1		
16	105712	9020293	4251814658802	Hex Nut; M8x20	M8x20	2		
17	105194	9020319	4251814684641	Hex Bolt; M8x16	M8x16	4		
18	116865	9028312	4251814659939	Hex Bolt; M8x120	M8x120	1		
19	105887	9021770	4251814661543	Self-locking nut; M8	M8	2		
20	102297	9020261	4251814658895	Fuel Tank-ATV; @50	同小50	1		
21	600709	9028314	4251814659946	Pedals Shockproof Rubber Parts	通用	1		
22	100269	9028315	4251814658949	Fuel Line; φ4.5xφ8.5x100	φ4.5xφ8.5x100	1		
23	101678	9020190	4251814658918	Fuel Tank Cap	通用	1		
24	600566	9020260	4251814658925	Fuel Tank Cap Vent Tube	通用	1		
25	600801	9020294	4251814685679	Fuel Filter Universal	通用	2		
26	100271	9020295	4251814658932	Fuel Line; φ4.5xφ8.5x200	φ4.5xφ8.5x200	2		
27	100273	9028984	4251814659601	Fuel Line; φ4.5xφ8.5x80	φ4.5xφ8.5x80	3		
28	110552	9029815	4251814659953	Cross Large Flat Head bolt; M6x30	M6x30	1		
29	101449	9028953	4251814658963	Tube Fasten Clip; φ8	φ8	8		
30	600672	9020191	4251814684535	Hex Socket Bolt; M6x16	M6x16	1		
31	105272	9028983	4251814685433	Locknut; M6	M6	1		
32	102241	9028985	4251814685686	Fuel Valve / Petcock/Fuel Pump	通用	1		
33	600680	9021787	4251814658956	Cross Large Flat Head bolt; M6x20	M6x20	1		
34	600710	9028954	4251814658970	Fuel Tank Panel Washer		1		
35	604653	9028946	4251814661550	Foot gear lever		1		

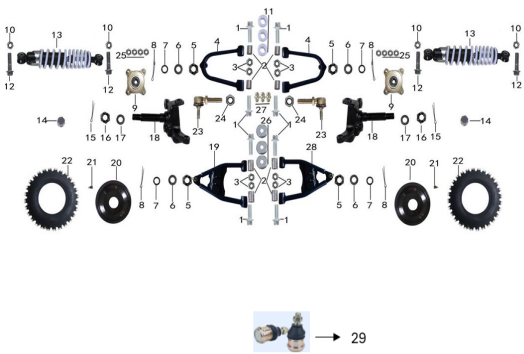
36	105141	9028954	4251814685440	Hex Flange Bolt; M6x20	M6x20	1		
37	105276	9028946	4251814685211	Locknut; M8	M8	2		

Rear suspension system



NR	ERP No.	Menila New Art.	EAN Code	SPEC	规格	Stk	Order	Note
1	101591	9025507	4251814659960	Rear Sprocket; 428-45	428#45齿	1		
2	603886	9023805	4251814659977	Chain Cover		1		
3	116307	9023607	4251814659984	#428 Drive Chain ; 428-94Chain	428#94节	1		
4	105195	9028987	4251814659038	Hex Flange Bolt; M8x1.25x16	M8x16	4		
5	600804	9028986	4251814659021	Rear Axle Washer; φ27	φ27	2		
6	105187	9028988	4251814659045	Hex Flange Bolt; M8x14	M8x14	8		
7	104862	9028989	4251814659076	Hex Nut; M27x1.5	M27x1.5	4		
8	116302	9023050	4251814659991	Rear Disk Brake Rotor ATA125-K; φ190	φ190	1		
9	100866	9024505	4251814659069	Brake Disc/Sprocket Hub for ATA 110 B/B1 and more	28齿(前轮法兰7inch)	2		
10	603888	9021771	4251814660300	Plastic Skid Plate ; PP		1		
11	105340	9029826	4251814684702	Cotter Pin; φ3x40	φ3x40	2		
12	105334	9029827	4251814684719	Castle Nut; M20x1.5	M20x1.5	2		
13	104876	9029828	4251814684726	Spring Washer	M20	2		
14	600583	9029829	4251814684733	Flat Washer; φ20*φ48*4	φ20xφ48x4	2		
15	100870	9020296	4251814660317	Rear Rim Hub fits on all 8" & 10" tire for VELOZ and more	110后轮 细牙 (rear sprocket hub for 8inch)	2		
15-1	113051	9025012	4251814659113	Rear Rim Hub; 17 Spline (7inch)		2		
16	109369	9020297	4251814660324	Hub Bolt; M10x30	M10x30	8		
17	105180	9020298	4251814660331	Hex Flange Bolt; M8x12	M8x12	2		
18	116301	9029613	4251814660348	Rear Axle	专用	1		
19	606640	9025016	4251814661567	Rear Iron Rim Hub; 8"	8寸	2		
19-1	606638	9025024	4251814665336	Rear Iron Rim Hub; 7"	7寸	2		
20	100537	9028992	4251814659120	Valve Stems for All ATVs and Go Karts	通用	2		
21	105006	9020210	4251814685907	Hex Flange Bolt; M10x1.25x40	M10x40x1.25	2		
22	108326	9020269	4251814659267	Dust Cover ATA 135 D5		2		
23		9120009	4251814625477	8" Tire; 18*9.5-8 Junkai	18x9.5-8	2		
23		9120007	4251814625453	8" Tire; 16x8-7 Junkai	16x8-7	2		
24	116303	90220120303	4251814661574	Rear Shock Assembly ; 310mm	310mm	1		
24	116303	90220120202	4255675457130	Rear Shock Assembly ; 310mm	310mm	1		
24	116303	90220120404	4255675457147	Rear Shock Assembly ; 310mm	310mm	1		
25	105254	9020198	4251814685822	Locknut; M10x1.25	M10x1.25	2		
26	112921	9029835	4251814684870	Swing Arm Spacer Powder Metallurgy; φ30xφ26xφ18	φ30xφ26xφ18	2		
27	112924	9021559	4251814684917	Swing Arm Sealing Cover; φ39x10	φ39x10	2		
28	105277	9029820	4251814684627	Locknut; M8	M8	8		
29	105926	9020300	4251814660386	Chain Adjuster; M8x40	M8x40	2		
30	102817	9024310	4251814661185	Ball Bearing; 6006	6006	2		
31	603849	9029311	4251814660393	ATV Swing Arm		1		
32	600540	9020301	4251814660409	Rear Axle Carrier Spacer	φ35xφ31x89.5	1		
33	109837	9029614	4251814660416	Rear Axle Carrier for Cheetah and more	通用110-B	1		
34	112928	9020272	4251814659298	Chain Tensioner Spring	通用小捷豹	1		
35	112927	9020271	4251814659281	Chain ension Wheel	通用小捷豹	1		
36	105234	9029844	4251814685068	Hex Flange Bolt; M8x55	M8x55	1		
37	104984	9029821	4251814684634	Hex Flange Bolt; M10x1.5x25	M10x1.5x25	4		
38	105259	9020276	4251814659359	Locknut; M12x1.25	M12x1.25	1		
39	105077	9020302	4251814660423	Hex Flange Bolt; M12x1.25x250	M12x1.25x250	1		
40	112922	9020277	4251814659366	Swing arm spacer	通用小捷豹	1		
41	108287	9029836	4251814684887	Grease Fitting; M6x9	M6x9	1		
42	112923	9020279	4251814659380	Swing Arm Wear-Resisting Rubber Sleeve; φ36xφ30xφ38	φ36xφ30xφ38	1		

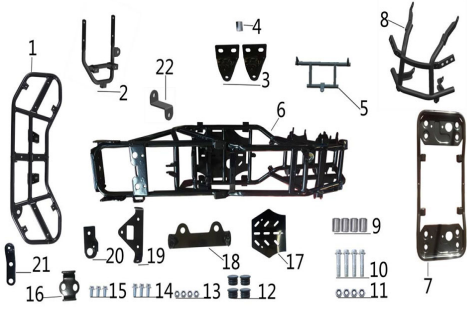
Front suspension system



NR	ERP No.	Menila New Art.	EAN Code	SPEC	规格	Stk	Order	Note
1	105027	9028957	4251814685808	Hex Flange Bolt; M10x1.25x70	M10x1.25x70	8		
2	112931	9020197	4251814685815	Front Rocker Arm Spacer ATA125-K; φ17.7xφ10x49	φ17.7xφ10x49	8		
3	105254	9020198	4251814685822	Locknut; M10x1.25	M10x1.25	8		
4	603855	9029117	4251814660430	Upper A-Arm ATA125-K		2		
5	105320	9020303	4251814660447	Castle Nut; M10x1.25	M10x1.25	8		
6	105393	9028949	4251814685280	Flat Washer; φ20xφ10x1.5	φ20xφ10x1.5	4		
7	104868	9028959	4251814685860	Spring Washer; M10	M10	4		
8	105338	9028948	4251814685273	Cotter Pin; φ2.5x30	φ2.5x30	4		
9	102441	9020313	4251814661192	Brake Disc/Sprocket Hub for 7inch	for 7inch	1		
9-1	113051	9025012	4251814659113	Brake Disc/Sprocket Hub for 8inch	for 8inch	1		
10	105253	9020208	4251814685884	Hex Flange Bolt; M10x1.25	M10x1.25	4		
11	112930	9020211	4251814685914	Nylon Bushing ATA125-K; φ30xφ25xφ18x20	φ30xφ25xφ18x20	16		
12	105006	9020210	4251814685907	Hex Flange Bolt; M10x1.25x40	M10x40x1.25	4		
13	116304	90220100303	4251814660379	Front Shock Assembly ATA125-K; 315mm	315mm	2		
13	116304	4255675457116	4251814660379	Front Shock Assembly ATA125-K; 315mm	315mm	2		
13	116304	4255675457123	4251814660379	Front Shock Assembly ATA125-K; 315mm	315mm	2		
14	108326	9020269	4251814659267	Dust Cover ATA 135 D5		2		
15	105340	9029826	4251814684702	Cotter Pin; φ3x40	φ3x40	2		
16	105326	9020284	4251814659465	Castle Nut; M14x1.5	M14x1.5	2		
17	105414	9020304	4251814660492	Flat Washer; φ14xφ40x2	φ40xφ14.2x1.8	2		
18	102894	9029318	4251814661598	Front Spindle (Pair)	90碟刹	1		
19	604752	9029316	4251814661215	Lower Left A-Arm ATA125-K		1		
20	606641	9029319	4251814661581	Front Iron Rim Hub	8寸	2		
20-1	606639	9025023	4251814665329	Front Iron Rim Hub	7寸	2		
21	100537	9028992	4251814659120	Valve Stems for All Scooters	通用	2		
22		9120008	4251814625460	8" Tire; 19x7-8 Junkai	19x7-8	2		
23		9120007	4251814625453	8" Tire; 16x8-7 Junkai	16x8-7	2		
23	101486	9020305	4251814660539	Hex Flange Bolt; M14x1.5x60	M14x1.5x60	2		
24	105263	9020203	4251814686010	Locknut; M14*15	M14x15	2		
25	105289	9020306	4251814660546	Acorn Nut; M8	M8	8		
26	112934	9020204	4251814686027	Swing Arm Sealing Cover; φ37xφ10	φ37xφ10	16		
27	108287	9029836	4251814684887	Grease Fitting; M6x9	M6x9	8		
28	604754	9029317	4251814661239	Lower Right A-Arm		1		

29	107887	9029284	4255675499499	Ball joint of down swing arm L/ R	下摇臂球头 左右相同	2		
----	--------	---------	---------------	-----------------------------------	------------	---	--	--

Frame System



NR	ERP No.	Menila New Art.	EAN Code	SPEC	规格	Stk	Order	Note
1	602433	9029113	4251814659199	Rear Rack	同小捷豹	1		
2	603843	9029119	4251814660577	Rear Lifter		1		
3	603859	9029121	4251814660591	Engine Mount Bracket ATA125-K		2		
4	112917	9020267	4251814659236	Engine pylon spacer ; φ20×φ8.5×6	φ20×φ8.5×6	1		
5	606238	9029138	4251814661604	Rack Supporting Bracket- Rear ATA125-K		1		
6	603833	9029123	4251814660614	Main Frame		1		
7	603837	9029127	4251814660652	Foot Plate ATA125-K		1		
8	606242	9020266	4251814659151	Front Bumper ATA125-K		1		
9	101355	9020266	4251814659151	Bushing; 10x30x35	Φ10xΦ30x35	4		
10	105015	9020265	4251814659144	Hex Flange Bolt; M10×5×1.25	M10×1.25×55	4		
11	105254	9020198	4251814685822	Locknut; M10×1.25	M10×1.25	4		
12	102415	9020264	4251814659137	Metal Tube Rubber Cap; φ 22	φ22	4		
13	105276	9028946	4251814685211	Locknut; M8	M8×1.25	8		
14	105212	9020170	4251814685327	Hex Flange Bolt; M8x1.25x25	M8×25	4		
15	105194	9029822	4251814684641	Hex Flange Bolt; M8x16	M8×16	4		
16	603845	9029133	4251814660713	Electric Parts Bracket		1		
17	603868	9029132	4251814660706	Rear Axle Hub Protector		1		
18	603870	9029131	4251814660690	Speedometer Bracket		1		
19	603847	9029130	4251814660683	Gauge Mounting Bracket		1		
20	603872	9029129	4251814660676	Fuel Tank Switch Bracket		1		
21	603874	9029139	4251814661611	Fixed Chain Cover seat	通用小猛禽	1		
22	604762	9029140	4251814661628	Aluminum Exhaust Pipe connection seat		1		



www.nitromotors.de

Copyright © 2025 Nitromotors | All rights reserved. "Nitromotors" is a registered trademark of Menila Import.
 Druckfehler und Irrtümer vorbehalten. Menila Import | Hafenhafenstr. 5 | 45881 Gelsenkirchen | E-Mail: parts@menilagroup.de