

ART-NR. 1122018

# 125CC RUGBY

MIDI QUAD



www.nitromotors.de

## ERSATZTEILLISTE | SPARE PARTS LIST

VERS. 1.0 | 31.07.2025

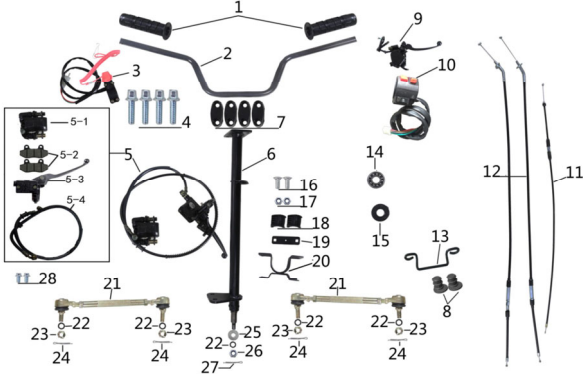
Cover system



No.	ERP No.	Menila Art.	EAN Code	English name	Specification	Qty	order	note
1	603882	9028993	4251814659526	Bumper - Front ATA125-K	PP专用	1		
2	603883	9021760	4251814659533	Control Box Cover ATA125-K	PP专用	1		
3	603889	9027622	4251814659540	Headlight Housing Panel ATA125-K	ABS专用	1付		
4	604053	9021761	4251814659557	Speedometer Cover ATA125-K; Spray Paint	单色喷漆	1		
4	604054	9021762	4251814659564	Speedometer Housing Decoration Cover ATA125-K; Spray Paint	单色喷漆	1		
6	604055	9021763	4251814659571	Speedometer Transparent Cover ATA125-K	PP专用	1		
7	604057	9021764	4251814659588	Speedometer Housing ATA125-K	PP专用	1		
8	603884	9021765	4251814659595	Rear Rack Tray ATA125-K	PP专用	1		
9	112957	9021543	4251814684269	Seat Shock Absorption Rubber Parts ATA125-K	通用小捷豹	2		
10	603885	9021766	4251814659618	Front Rack Tray ATA125-K	PP专用	1		
11	603880	9021767	4251814659625	HeadLight Trim ATA125-K	PP专用	1		
12	604050	9,0218E+10	4251814659632	Plastic Front Body-Painted ATA125-K	单色喷漆	1		
13	603881	9021569	4251814691496	Left and Right Footrest ATA125-K	PP专用	1付		
14	604051	9021769	4251814659649	Plastic Rear Body-Painted ATA125-K	单色喷漆	1		
15	116313	9024005	4251814659656	Seat - ATV ATA125-K	专用	1		
16	105131	9020166	4251814685235	Hex Flange Bolt; M6x12	M6*12	2		
17	105382	9028969	4251814658406	Cross Self Tapping Screw; ST4.8x12	ST4.8*12	4		
18	105873	9029806	4251814684443	Self Tapping Clip; M4.2	M4.2	6		
19	105455	9028963	4251814658215	Flat Washer; φ6×φ22×1.5	φ6*φ22*1.5	8		
20	113219	9028961	4251814658192	Double lock Hex Socket Bolt; φ8×M6×20	φ8*M6*20	8		
21	112956	9027159	4251814658390	Pedals Shockproof Rubber Parts	通用小捷豹	8		
22	601797	9029809	4251814684474	Cross Self Tapping Screw; ST4.2x12	ST4.2*12	16		
23	101701	9029810	4251814684481	Flat Washer; φ16×φ6.3×1.5	φ6	22		
24	105450	9029813	4251814684511	Flat Washer; φ6x16x1.5	φ6	18		
25	110887	9029814	4251814684528	Large flat head hex socket bolts; M6x16	M6*16	15		
26	105466	9028962	4251814658208	Flat Washer; φ8×φ20×1.5	φ8*φ20*1.5	18		
27	104787	9029815	4251814684535	Cross Large Flat Head bolt; M6x16	M6*16	2		
28	113217	9029816	4251814684542	Large flat head hex socket bolts; M6x12	M6*12	26		
29	116300	9029812	4251814684504	Front Racks Installation Spacer ATA125-K; φ8.5×φ12×12	φ8.5*φ12*12	4		
30	116322	9020162	4251814684405	Front racks Installation Rubber Sleeve ATA125-K	专用	4		
31	112916	9024507	4251814659663	Seats Bottom Rubber Parts; φ22	φ22	2		
32	605572	9022958	4251846137023	Hand guards on handlebar R+L		1 set		
33	604749	90217770303	4251814660874	Decoration Rim Hub Cover red	PP专用 8inch	4		
33	604749	90217770404	4255675415109	Decoration Rim Hub Cover green	PP专用 8inch	4		

33	604749	90217770202	4255675415116	Decoration Rim Hub Cover blue	PP专用 8inch	4		
		90299120303	4255675415147	Sticker set red		1		
		90299120202	4255675415154	Sticker set green		1		
		90299120404	4255675416892	Sticker set blue		1		

### Turning system



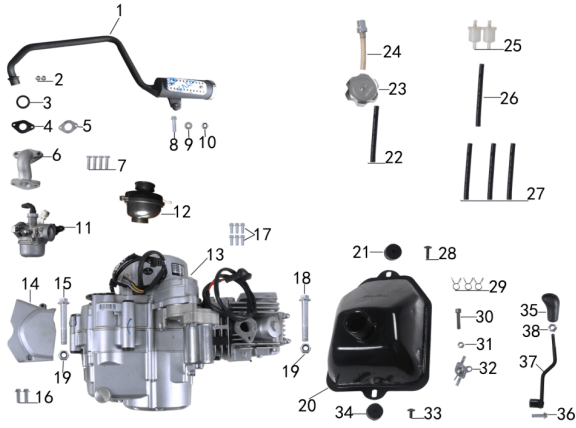
No.	ERP No.	Menila Art.	EAN Code	English name	Specification	Qty	order	note
1	112951	9026007	4251814658413	Hand Grip Set ATA 110 C	专用	1套		
2	603876	9020287	4251814659670	Handle Bar ATA125-K	专用	1		
3	109514	9027009	4251814658437	Tether Switches ATA110-B	同小50	1		
4	105231	9020288	4251814659687	Hex Flange Bolt; M8x50	M8*50	4		
5	116306	9024508	4251814659694	Rear Disk Brake Assembly ATA125-K		1套		
5-1	117227	9024509	4251814659700	Rear Disk Brake Caliper ATA125-K		1		
5-2	117228	9023043	4251814691434	Rear Disk Brake Pad ATA125-K		1		
5-3	117229	9024510	4251814659717	Brake Level Only- Left ATA125-K		1		
5-4	117230	9024511	4251814659724	Rear Disk Brake Line ATA125-K		1		
6	603839	9028994	4251814659731	Triple Tree ATA125-K	专用1kg	1		
7	101676	9028972	4251814658512	Handle Bar Clamp	同小50	1套		
8	115426	9021560	4251814685150	Steering Shaft Dust Blocks ATA125-K		2		
9	109414	9023027	4251814685075	Brake/Throttle Control Assemblies for All ATVs	同小50	1		
10	116309	9027007	4251814685334	Left Handle Bar Switch ATA125-K	专用	1		
11	102527	9026009	4251814659748	Throttle Cable; 750mmx84mm (29.5in x 3.3in)	通用小公牛 750mm*84mm	1		
12	102134	9026010	4251814659755	Front Brake Cable; 1000mmx100mm	通用小公牛 1米大头	2		
13	603064	9026011	4251814659762	Wire Clamp ATA125-K		1		
14	111476	9024308	4251814685181	Needle Roller Bearing ATA125-K; 2202	2202	1		
15	111485	9020164	4251814685174	Oil Seal ATA125-K; 17x35x7	17*35*7	1		
16	111065	9020256	4251814658611	Alien Bolt ATA125-K	借用ATA300-F	2		
17	105276	9028946	4251814685211	Locknut; M8	M8	6		
18	112478	9020165	4251814685228	Steering Shaft Clamp ATA125-K	借用ATA300-F	2		
19	112537	9020252	4251814658574	Triple Tree Install Rubber mat ATA125-K	借用ATA300-F	1		
20	603062	9020253	4251814658581	Steering Shaft Fixed Seat ATA125-K		1		
21	101529	9020289	4251814659779	Tie Rod Assembly ATA125-K; 220mm	220mm	2		
22	104867	9020168	4251814685259	Spring Washer	M10_发黑	5		
23	105321	9028947	4251814685266	Castle Nut; M10x1.5	M10*1.5	4		
24	105338	9028948	4251814685273	Cotter Pin; φ2.5x30	φ2.5*30	4		
25	105393	9028949	4251814685280	Flat Washer; φ20xφ10x1.5	φ10*φ20*1.5	1		
26	105256	9028950	4251814685297	Locknut; M10x1.5	M10*1.5	1		
27	109643	9028951	4251814685303	Cotter Pin; φ3x25	φ3*25	1		
28	105194	9029822	4251814684641	Hex Flange Bolt; M8x16	M8*16	2		

### Electric system



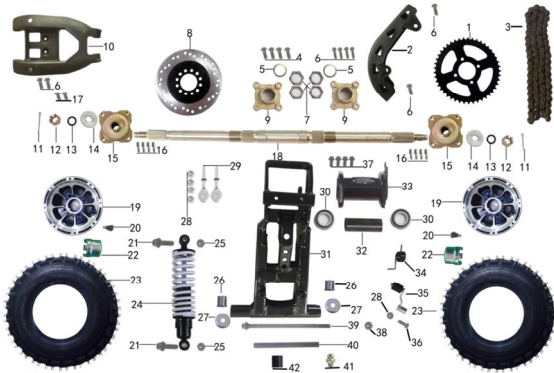
No.	ERP No.	Menila Art.	EAN Code	English name	Specification	Qty	order	note
1	111151	9020196	4251814685785	Pen Head Self-tapping Screw; S3.8x12	S3.8*12	4		
2	116311	9027623	4251814659816	Front Running Light ATA125-K; LED	专用	2		
3	116310	9027615	4251814691472	Headlight Assembly ATA125-K	专用	2		
4	116312	9027624	4251814659823	Gear Indicator ATA200-D	专用(辰阳电子)	1		
5	100394	9020258	4251814658680	Remote Control / Alarm	同125小公牛 带喇叭	1		
6	100699	9020194	4251814685754	Ignition Key Switch For 110cc Utility ATVs; 4 Wire Male Plug	带螺纹(同135 D)	1		
7	603734	9020290	4251814659830	Wire Harness ATA125-K	专用	1		
8	116316	9020291	4251814659847	Speedometer Wire harness ATA125-K; 1.2m	专用1.2米	1		
9	105272	9028953	4251814685433	Locknut; M6	M6	1		
10	105140	9028955	4251814685693	Hex Flange Bolt; M6x16	M6*20	1		
11	100733	9021811	4251814659854	Regulator ATA125-K	全波	1		
12	100667	9021812	4251814659861	CDI ATA125-D; 5 Pin	通用	1		
13	101384	9021803	4251814685556	Starter Relay / Solenoid for All ATVs	同小50	1		
14	105272	9028953	4251814685433	Locknut; M6	M6	2		
15	112844	9027621	4251814658710	Tail Lights Assembly ATA125-K	通用小捷豹	1		
16	100907	9020259	4251814658727	Reflector; Rectangle; Red for E1-350 and more	长方红	1		
17	101008	9021810	4251814658734	Ignition Coil	同小50	1		
18	105272	9028953	4251814685433	Locknut; M6	M6	1		
19	105140	9028955	4251814685693	Hex Flange Bolt; M6x16	M6*20	1		
20		9018002	4251237150778	Polar Bar AGM Battery YTSL-BS	12V5AH后加液	1		
21	100681	9021575	4251814658345	Battery Strap; L:200mm	同小公牛	2		

Engine system



No.	ERP No.	Menila Art.	EAN Code	English name	Specification	Qty	order	note
1	116308	9027913	4251814659878	Exhaust Pipe Assembly ATA125-K	专用	1		
2	600791	9029808	4251814684467	Locknut; M6	M6	2		
3	102419	9027912	4251814658772	Muffler Gasket; OD: 31.5mm ID: 23.5mm	同小50	1		
4	106945	9028976	4251814658789	Intake Manifold Gasket		1		
5	化油器带	9021306	4251814659885	Intake Manifold Rubber Pad ATA125-K	通用	1		
6	103050	9021307	4251814659892	Intake Manifold; Metal Color	同小50	1		
7	105712	9028978	4251814658802	Hex Nut; M8x20	M8x20	4		
8	105223	9028980	4251814658826	Hex Flange Bolt; M8x35	M8*35	1		
9	106932	9020221	4251814686287	Flat Washer; φ8x20x1.5	φ8*φ20*1.5	1		
10	105276	9028946	4251814685211	Locknut; M8	M8	1		
11	101342	9021303	4251814678350	Electric Choke Carburetor ATA125-K; P222	P222	1		
12	115427	9028506	4251814659908	Air Filter	同小50	1		
13	112290	9021008	4251814659915	120cc Auto w/Reverse, Elec. Start Engine Assembly ATA125-K; 120CC (1+1) 14齿全波	120CC (1+1) 14齿全波	1		
14	110975	9021145	4251814658857	Engine Sprocket Covers	110通用	1		
15	116864	9020292	4251814659922	Hex Flange Bolt; M8x110	M8*110	1		
16	105712	9028978	4251814658802	Hex Nut; M8x20	M8x20	2		
17	105194	9029822	4251814684641	Hex Bolt; M8x16	M8*16	4		
18	116865	9020293	4251814659939	Hex Bolt; M8x120	M8*120	1		
19	105276	9028946	4251814685211	Locknut; M8	M8	2		
20	102297	9028312	4251814658895	Fuel Tank-ATV; @50	同小50	1		
21	600709	9021770	4251814659946	Pedals Shockproof Rubber Parts ATA125-K	通用	1		
22	100269	9020261	4251814658949	Fuel Line; φ4.5xφ8.5x100	φ4.5*φ8.5*100	1		
23	101678	9028314	4251814658918	Fuel Tank Cap	通用	1		
24	600566	9028315	4251814658925	Fuel Tank Cap Vent Tube	通用	1		
25	600801	9020190	4251814685679	Fuel Filter Universal	通用	2		
26	100271	9020260	4251814658932	Fuel Line; φ4.5xφ8.5x200	φ4.5*φ8.5*200	2		
27	100273	9020294	4251814659601	Fuel Line; φ4.5xφ8.5x80	φ4.5*φ8.5*80	3		
28	110552	9020295	4251814659953	Cross Large Flat Head bolt; M6x30	M6*30	1		
29	101449	9028984	4251814658963	Tube Fasten Clip; φ8	φ8	8		
30	600672	9029815	4251814684535	Hex Socket Bolt; M6x16	M6*16	1		
31	105272	9028953	4251814685433	Locknut; M6	M6	1		
32	102241	9020191	4251814685686	Fuel Valve / Petcock/Fuel Pump	通用	1		
33	600680	9028983	4251814658956	Cross Large Flat Head bolt; M6x20	M6*20	1		
34	600710	9028985	4251814658970	Fuel Tank Panel Washer		1		
35	101088	9020262	4251814658987	Gear Shifter Handle for ATA 135 DU and more	同110卡丁车	1		
36	105141	9028954	4251814685440	Hex Flange Bolt; M6x20	M6*20	1		
37	602449	9020263	4251814658994	Gear Shifter Rod ATA110-C	专用	1		
38	105487	9028947	4251814685266	Hex Nut; M10x1.5	M10*1.5	1		

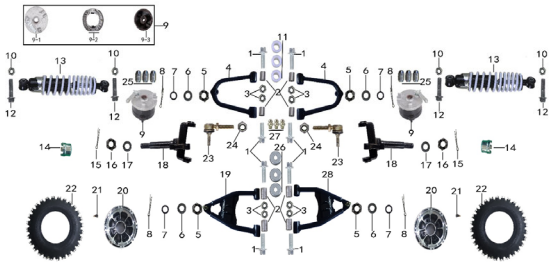
Rear suspension system



No.	ERP No.	Menila Art.	EAN Code	English name	Specification	Qty	order	note
1	101591	9025507	4251814659960	Rear Sprocket; 428-45	428#45齿	1		
2	603886	9023805	4251814659977	Chain Cover ATA125-K	PP专用	1		
3	116307	9023607	4251814659984	#428 Drive Chain ATA125-K; 428-94Chain	428#94节	1		
4	105195	9028987	4251814659038	Hex Flange Bolt; M8x1.25x16	M8*16	4		
5	600804	9028985	4251814658970	Rear Axle Washer; φ27	φ27	2		
6	105187	9028988	4251814659045	Hex Flange Bolt; M8x14	M8*14	8		
7	104862	9028988	4251814659045	Hex Nut; M27x1.5	M27x1.5	4		
8	116302	9023050	4251814659991	Rear Disk Brake Rotor ATA125-K; φ190	φ190	1		
9	102441	9020313	4251814661192	Rotator	前轮毂法兰 8inch	1套		
10	603888	9021771	4251814660300	Plastic Skid Plate ATA125-K; PP	PP专用	1		
11	105340	9029826	4251814684702	Cotter Pin; φ3x40	φ3x40	2		
12	105334	9029827	4251814684719	Castle Nut; M20x1.5	M20x1.5	2		
13	104876	9029828	4251814684726	Spring Washer	M20	2		
14	600583	9029829	4251814684733	Flat Washer; φ20*φ48*4	φ20xφ48x4	2		

15	100870	9020296	4251814660317	Rear Rim Hub fits on all 8" & 10" tire for VELOZ and more	110后轮 细牙 for 8inch	2		
16	109369	9020297	4251814660324	Hub Bolt; M10x30	M10*30	8		
17	105180	9020298	4251814660331	Hex Flange Bolt; M8x12	M8*12	2		
18	116301	9029613	4251814660348	Rear Axle ATA125-K	专用	1		
19	109241	9025013	4251814660355	Rim- Rear; 8"	8寸	2		
				Iron wheel 8		2		
20	108238	9028992	4251814659120	Valve Stems for All ATVs and Go Karts	通用	2		
21	105006	9020210	4251814685907	Hex Flange Bolt; M10x1.25x40	M10x40x1.25	2		
22	109241-1	9020299	4251814660362	Dust Cover ATA 135 D5		2		
23		9120009	4251814625477	8" Tire; 18*9.5-8 Junkai	18*9.5-8	2		
24	116304	9022010	4251814660379	Front Shock Assembly ATA125-K; 315mm	315mm	2		
25	105254	9020198	4251814685822	Locknut; M10x1.25	M10x1.25	2		
26	112921	9029835	4251814684870	Swing Arm Spacer Powder Metallurgy; $\phi 30 \times \phi 26 \times \phi 18$	$\phi 30 \times \phi 26 \times \phi 18$	2		
27	112924	9021559	4251814684917	Swing Arm Sealing Cover; $\phi 39 \times 10$	$\phi 39 \times 10$	2		
28	105277	9029820	4251814684627	Locknut; M8	M8	8		
29	105926	9020300	4251814660386	Chain Adjuster; M8x40	M8x40	2		
30	102817	9024303	4251684907062	Ball Bearing; 6006	6006	2		
31	603849	9029311	4251814660393	ATV Swing Arm ATA125-K	专用3.9kg	1		
32	600540	9020301	4251814660409	Rear Axle Carrier Spacer ATA125-D	$\phi 35 \times \phi 31 \times 89.5$	1		
33	109837	9029614	4251814660416	Rear Axle Carrier for Cheetah and more	通用110-B	1		
34	112928	9020272	4251814659298	Chain Tensioner Spring ATA125-K	通用小捷豹	1		
35	112927	9020271	4251814659281	Chain Tension Wheel	通用小捷豹	1		
36	105234	9029844	4251814685068	Hex Flange Bolt; M8x55	M8*55	1		
37	104984	9029821	4251814684634	Hex Flange Bolt; M10x1.5x25	M10*1.5*25	4		
38	105259	9020276	4251814659359	Locknut; M12x1.25	M12*1.25	1		
39	105077	9020302	4251814660423	Hex Flange Bolt; M12x1.25x250	M12*1.25*250	1		
40	112922	9020277	4251814659366	Swing Arm Spacer ATA125-K; $\phi 18 \times \phi 12 \times 218.5$	通用小捷豹	1		
41	108287	9029836	4251814684887	Grease Fitting; M6x9	M6*9	1		
42	112923	9020279	4251814659380	Swing Arm Wear-Resisting Rubber Sleeve; $\phi 36 \times \phi 30 \times \phi 38$	$\phi 36 \times \phi 30 \times \phi 38$	1		

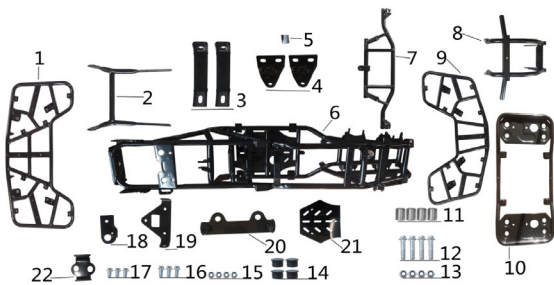
### Front suspension system



No.	ERP No.	Menila Art.	EAN Code	English name	Specification	Qty	order	note
1	105027	9028957	4251814685808	Hex Flange Bolt; M10x1.25x70	M10*1.25*70	8		
2	112931	9020197	4251814685815	Front Rocker Arm Spacer ATA125-K; $\phi 17.7 \times \phi 10 \times 49$	$\phi 17.7 \times \phi 10 \times 49$	8		
3	105254	9020198	4251814685822	Locknut; M10x1.25	M10*1.25	8		
4	603855	9029117	4251814660430	Upper A-Arm ATA125-K	专用0.5kg*2	2		
5	105320	9020303	4251814660447	Castle Nut; M10x1.25	M10x1.25	8		
6	105393	9028949	4251814685280	Flat Washer; $\phi 20 \times \phi 10 \times 1.5$	$\phi 20 \times \phi 10 \times 1.5$	4		
7	104868	9028959	4251814685860	Spring Washer; M10	M10	4		
8	105338	9028948	4251814685273	Cotter Pin; $\phi 2.5 \times 30$	$\phi 2.5 \times 30$	4		
9	102771	9024512	4251814660454	Drum Brake Assembly - Front Left and Right Set; 110#	110#	2		
9-1	111974	9024513	4251814660461	Drum Brake Backing Plate		1		
9-2	111975	9024514	4251814660478	Drum Brake Shoe		2		
9-3	111933	9024309	4251814660485	Ball Bearing; 6003	6003	2		
10	105253	9020208	4251814685884	Hex Flange Bolt; M10x1.25	M10*1.25	4		
11	112930	9020211	4251814685914	Nylon Bushing ATA125-K; $\phi 30 \times \phi 25 \times \phi 18 \times 20$	$\phi 30 \times \phi 25 \times \phi 18 \times 20$	16		
12	105006	9020210	4251814685907	Hex Flange Bolt; M10x1.25x40	M10x40x1.25	4		
13	116304	9022010	4251814660379	Front Shock Assembly ATA125-K; 315mm	315mm	2		
14	109241-1	9020299	4251814660362	Dust Cover ATA 135 D5		2		
15	105340	9029826	4251814684702	Cotter Pin; $\phi 3 \times 40$	$\phi 3 \times 40$	2		
16	105326	9020284	4251814659465	Castle Nut; M14x1.5	M14x1.5	2		
17	105414	9020304	4251814660492	Flat Washer; $\phi 14 \times \phi 40 \times 2$	$\phi 40 \times \phi 14.2 \times 1.8$	2		

18	102887	9029312	4251814660508	Front Spindle (Pair) ATA125-K	90加厚	1付		
19	603857	9029313	4251814660515	Lower Left A-Arm ATA125-K	专用1kg	1		
20	115034	9029314	4251814660522	Rim- Front ATA125-K; Aluminium		2		
				Front Iron Wheel		2		
21	108238	9028992	4251814659120	Valve Stems for All Scooters	通用	2		
22		9120008	4251814625460	8" Tire; 19x7-8 Junkai	19*7-8	2		
23	101486	9020305	4251814660539	Tie Rod End ATA125-K; M14x1.5x60	M14*1.5*60	2		
24	105263	9020203	4251814686010	Locknut; M14*15	M14*15	2		
25	105289	9020306	4251814660546	Acorn Nut; M8	M8	8		
26	112934	9020204	4251814686027	Rocker Arm Sealing Cover; $\phi 37 \times \phi 10$	$\phi 37 * \phi 10$	16		
27	108287	9029836	4251814684887	Grease Fitting; M6x9	M6*9	8		
28	604263	9029315	4251814660553	Lower Right A-Arm ATA125-K	专用1kg	1		
29	107887	9029284	4255675499499	ball	专用1kg	1		

Frame system



No.	ERP No.	Menila Art.	EAN Code	English name	Specification	Qty	order	note
1	603866	9029118	4251814660560	Rear Rack ATA125-K	专用2.3kg	1		
2	603843	9029119	4251814660577	Rear Lifter ATA125-K	专用0.5kg	1		
3	603853	9029120	4251814660584	Rack Supporting Bracket- Rear ATA125-K	专用0.2kg*2	2		
4	603859	9029121	4251814660591	Engine Mount Bracket ATA125-K	专用0.1kg*2	2		
5	112917	9029122	4251814660607	Engine pylon spacer ATA125-K; $\phi 20 \times \phi 8.5 \times 6$	$\phi 20 * \phi 8.5 * 6$	1		
6	603833	9029123	4251814660614	Main Frame ATA125-K	专用13.6kg	1		
7	603841	9029124	4251814660621	Rack Supporting Bracket- Rear ATA125-K	专用1.1kg	1		
8	603862	9029125	4251814660638	Front Bumper ATA125-K	专用1.3kg	1		
9	603864	9029126	4251814660645	Front Rack ATA125-K	专用2.4kg	1		
10	603837	9029127	4251814660652	Foot Plate ATA125-K	专用3.8kg	1		
11	101355	9029128	4251814660669	Bushing; 10x30x35	$\Phi 10 * \Phi 30 * 35$	4		
12	105015	9020265	4251814659144	Hex Flange Bolt; M10x55x1.25	M10*1.25*55	4		
13	105254	9020198	4251814685822	Locknut; M10x1.25	M10*1.25	4		
14	102415	9020264	4251814659137	Metal Tube Rubber Cap; $\phi 22$	$\phi 22$	4		
15	105276	9028946	4251814685211	Locknut; M8	M8*1.25	8		
16	105212	9020170	4251814685327	Hex Flange Bolt; M8x1.25x25	M8*25	4		
17	105194	9029822	4251814684641	Hex Flange Bolt; M8x16	M8*16	4		
18	603872	9029129	4251814660676	Fuel Tank Switch Bracket ATA125-K	专用0.1kg	1		
19	603847	9029130	4251814660683	Gauge Mounting Bracket ATA125-K	专用	1		
20	603870	9029131	4251814660690	Speedometer Bracket ATA125-K	专用	1		
21	603868	9029132	4251814660706	Rear Axle Hub Protector ATA125-K	0.2kg	1		
22	603845	9029133	4251814660713	Electric Parts Bracket ATA125-K		1		



[www.nitromotors.de](http://www.nitromotors.de)

Copyright © 2025 Nitromotors | All rights reserved. "Nitromotors" is a registered trademark of Menila Import.  
 Druckfehler und Irrtümer vorbehalten. Menila Import | Hafnenbahnstr. 5 | 45881 Gelsenkirchen | E-Mail: [parts@menilagroup.de](mailto:parts@menilagroup.de)